

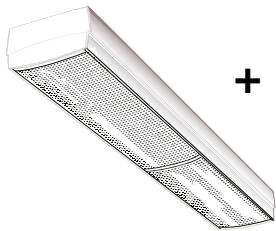
FRBc

Installation – Maintenance

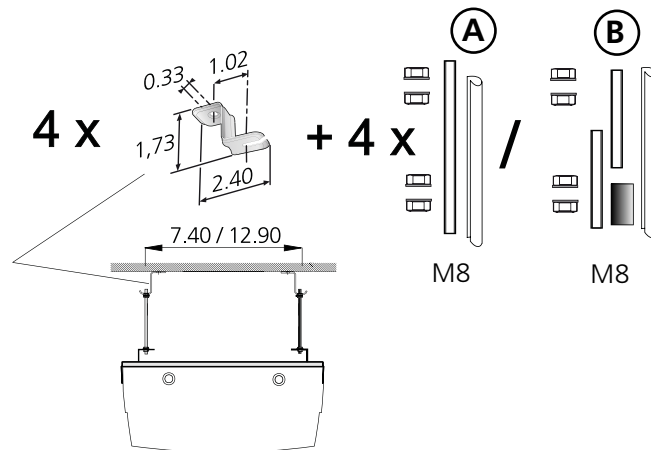
6-12-2016

Installation


FRBc 290 / 430

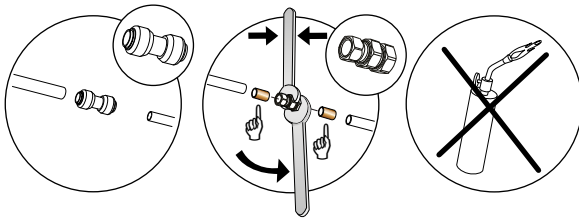


+ (A) / (B)



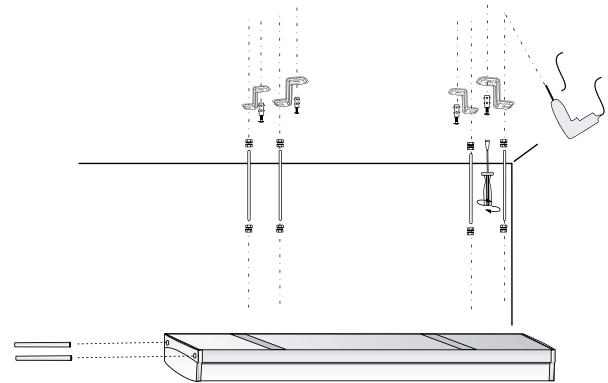
Max. recommended operating pressure: 230 psi

 Cu Ø12 x 1 mm

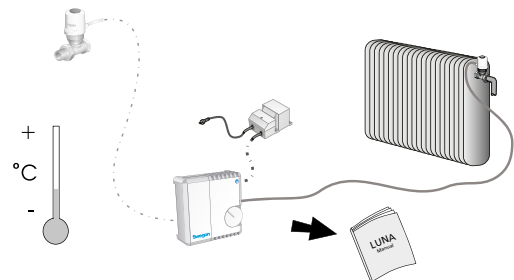


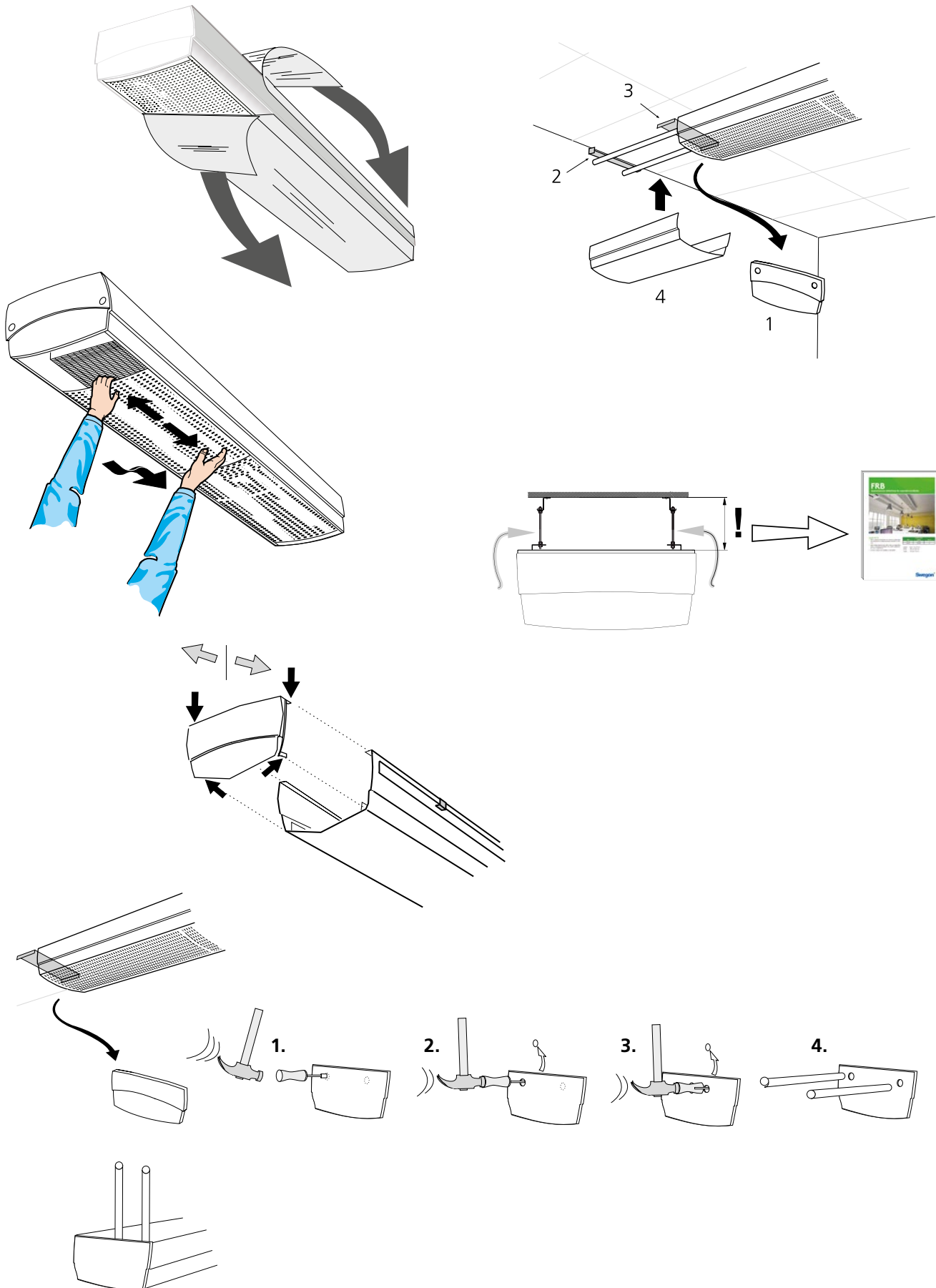
20-35 Nm

Note that clamp ring couplings require support sleeves inside the pipes.



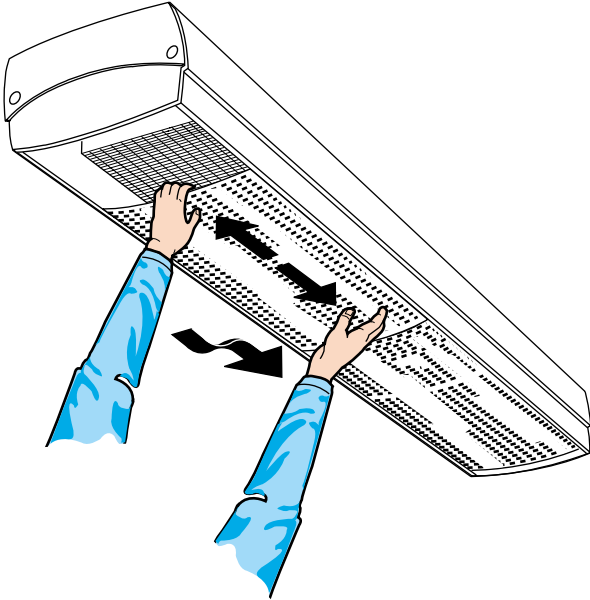
For US and Canada market
WARNING:
The power feeding shall be a
Low Voltage class 2 circuit.



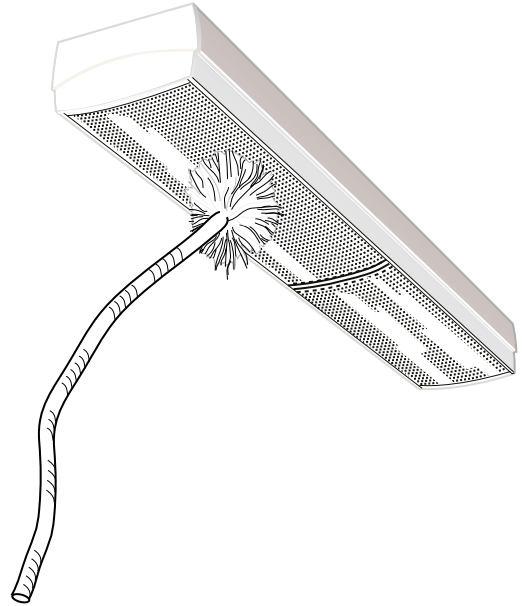


Maintenance

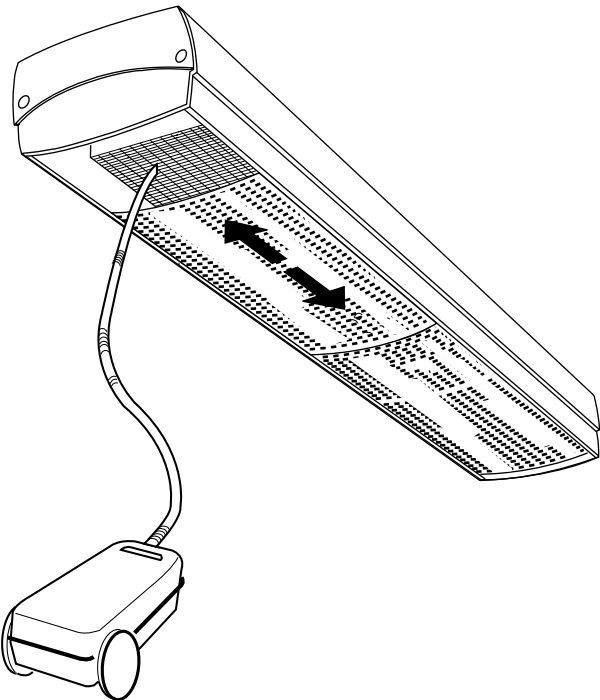
1



3



2





Art.No 642428006