

# DETECT™ Quality a

## Installation - Wiring

20160202

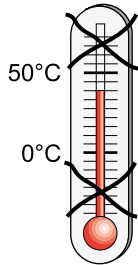


Figure 1. Maximum and minimum operating temperatures.

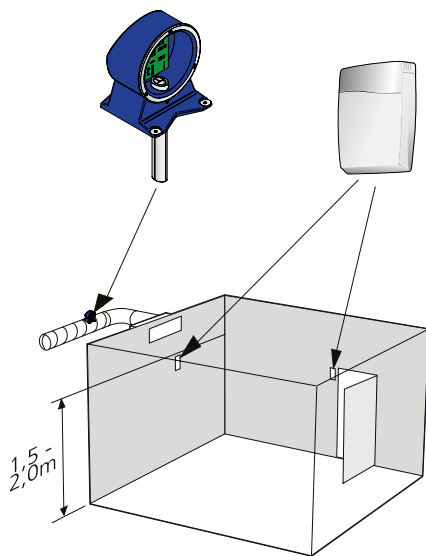


Figure 2. Recommended installation in a room or duct.

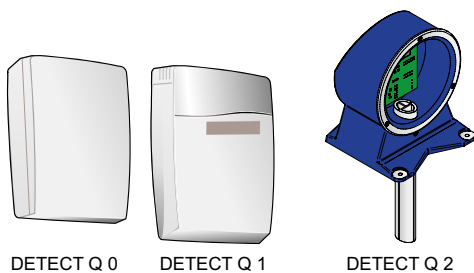


Figure 3. DETECT Q, models.

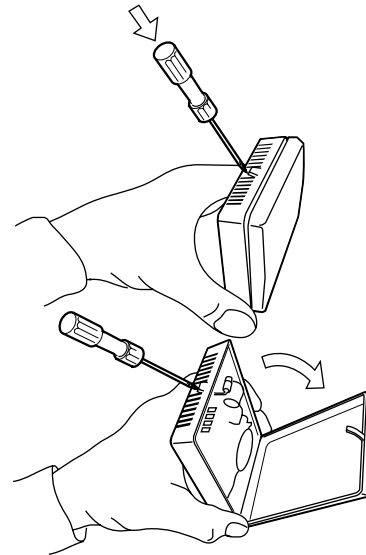


Figure 4. Dismounting of DETECT Q0.  
Use a screwdriver and press the tab down to open the cover.

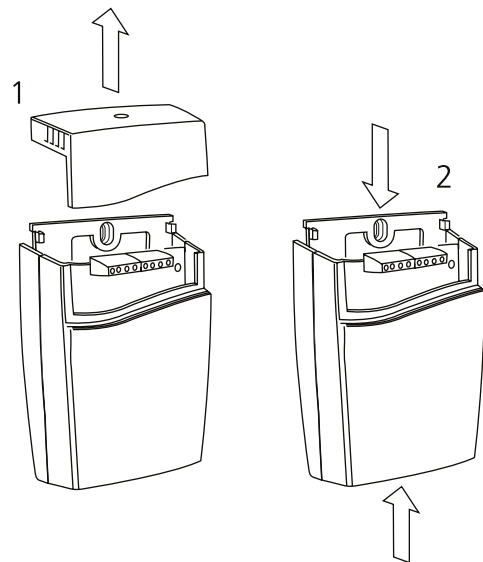


Figure 5. Dismounting of DETECT Q1.  
1. Pull the top section straight upward.  
2. Push the intermediate plate with cover upward and restrain the bottom plate.

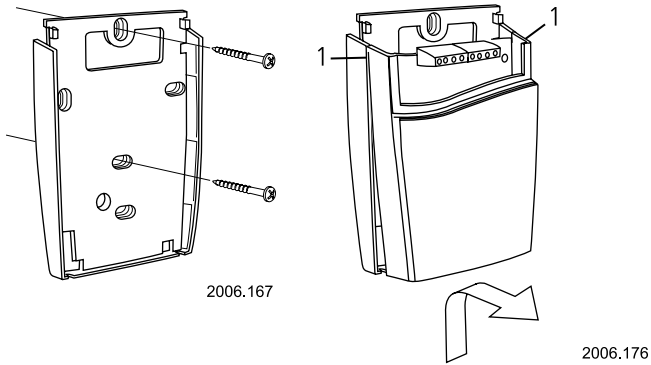


Figure 6. Mounting and dismounting of the DETECT Q1.

Secure the bottom plate to the wall with screws. The screw heads should be max. 4 mm.

Bend the intermediate plate with cover obliquely outward and detach it from the hooks, 1.

**Wiring**

**DETECT Q 0**

OUT 1	Used for WISE	0-10 V DC, 0-2000 ppm
OUT 2		2-10 V DC, 0-2000 ppm

**DETECT Q 1 and DETECT 2**

OUT 1	0-10 V DC, 500-1000 ppm and temp. 22-23 °C
OUT 2	Used with WISE 0-10 V DC, 0-2000 ppm
OUT 4	0-10 V DC, Temp. 19-21 °C

**Elektrical data**

Electric voltage	24 V ±20% AC/DC
Power consumption	3 VA
Ambient temperature	0 °C – +50 °C
Humidity	0-95% RH (not condensing)
Safety class, room mounted	IP 20
Safety class duct mounted	IP 65
Maximum load OUT 1-4	> 5kΩ

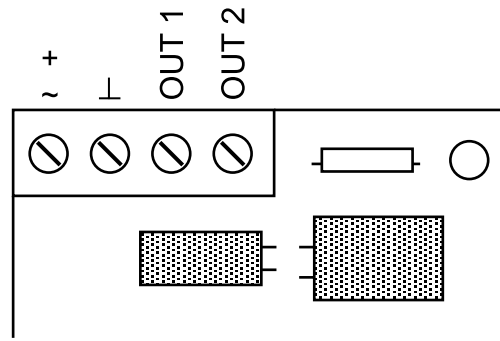


Figure 8. Terminal block for DETECT Q 0.

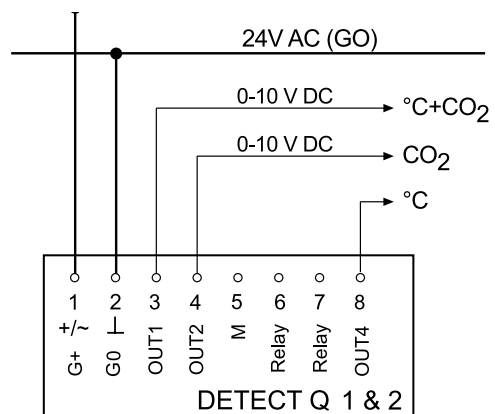


Figure 9. Wiring graph DETECT Q 1 and 2.

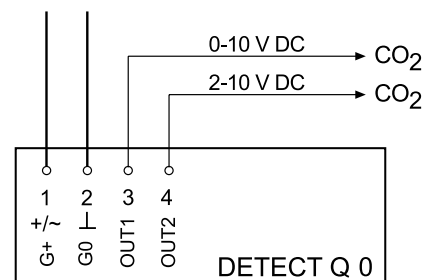


Figure 10. Wiring graph DETECT Q 0.

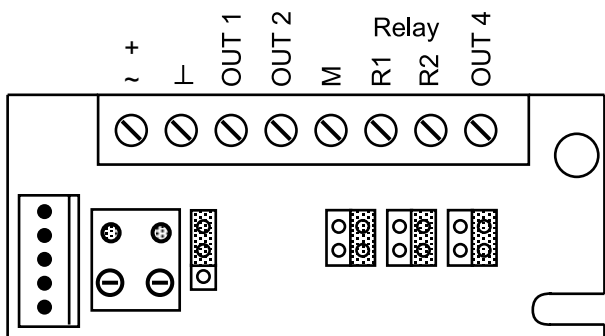


Figure 7. Terminal block for DETECT Q 1 and DETECT Q 2.