

## Sizing, Installation, Dimensions and Weight

### GOLD PX, plate heat exchanger, size 07

#### DELIVERY AND TRANSPORT WITHIN THE SITE

The GOLD PX 07 is produced in one single variant, in which all the components are arranged at their given physical locations inside the air handling unit.

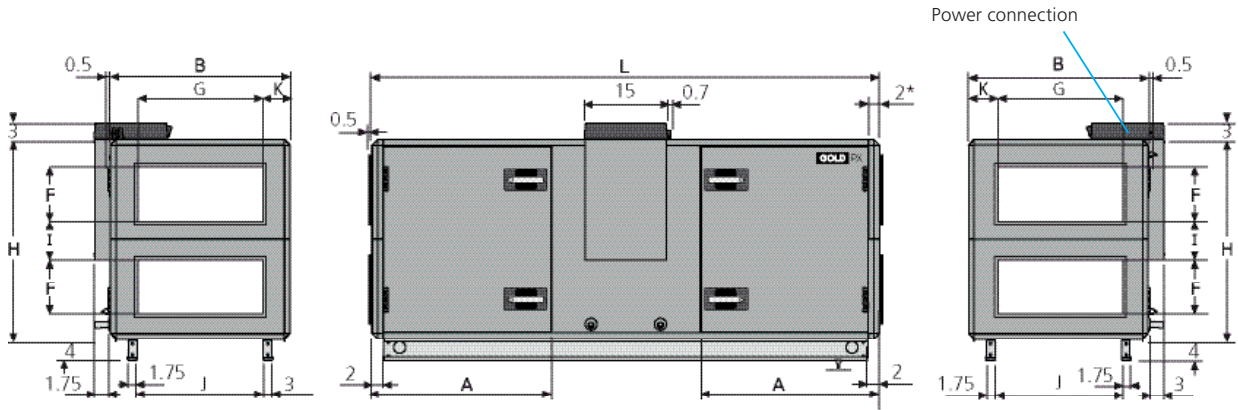
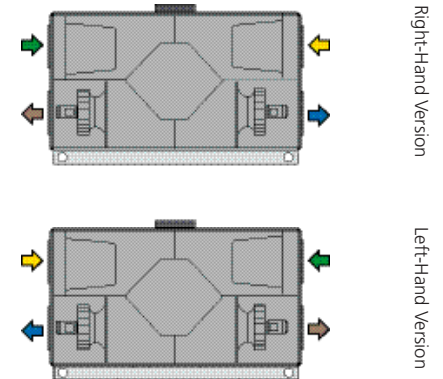
The electrical cabinet and the drain pipe on the front of the air handling unit can be removed, if required, for transporting the unit within the building site.

The air handling unit is supplied on a wooden pallet.

The set of support legs, for mounting the base beams, is available as an accessory.

#### DUCT CONNECTION OPTIONS

**A:** Specify right-hand or left-hand version when ordering.



Size	A	B	F	G	H	I	J	K	L	Wgt (lb)	Airflow ERV	Airflow CWC
PX 07	35.9	39.2	14.0	24.0	42.7	7.4	29.5	7.6	98.5	957-1082	1500 cfm	1420 cfm*

\*based on 550 fpm

#### CLEAR SPACE FOR INSPECTION

A clear space of 40 inches should be provided in front of the unit and at least 8 inches should be provided above the junction hood.

Power Connection	
	230/1/60
FLA	11.43
MCA	12.81
RFS	15