

## Sizing, Installation, Dimensions and Weight

### GOLD PX, plate heat exchanger, size 08

#### DELIVERY AND TRANSPORT WITHIN THE SITE

The GOLD PX 08 is produced in one single variant, in which all the components are arranged at their given physical locations inside the air handling unit.

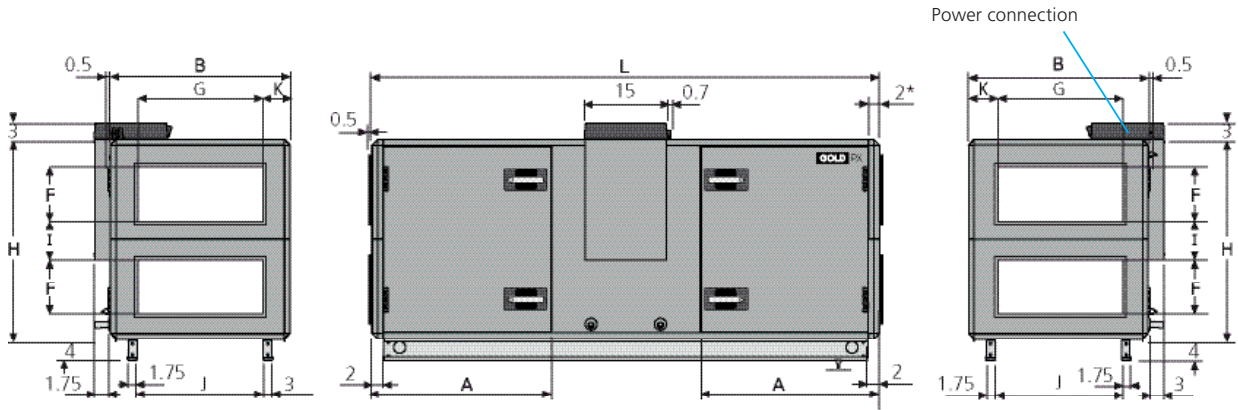
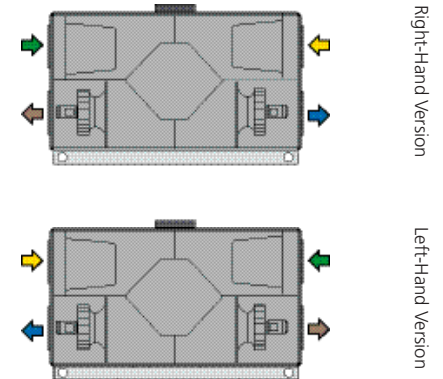
The electrical cabinet and the drain pipe on the front of the air handling unit can be removed, if required, for transporting the unit within the building site.

The air handling unit is supplied on a wooden pallet.

The set of support legs, for mounting the base beams, is available as an accessory.

#### DUCT CONNECTION OPTIONS

**A:** Specify right-hand or left-hand version when ordering.



If a water trap (accessory) is fitted, the air handling unit must be raised at least 2 inches to provide space for the water trap. Support feet (accessories) can be used for this purpose. *The air handling unit is supplied without end connection panel if a duct accessory housed in an insulated casing will be connected.*

Size	A	B	F	G	H	I	J	K	L	Wgt (lb)	Airflow ERV	Airflow CWC
PX 08	35.9	39.2	14.0	24.0	42.7	7.4	29.5	7.6	98.5	988-1113	2000 cfm	1420 cfm*

\*based on 550 fpm

#### CLEAR SPACE FOR INSPECTION

A clear space of 40 inches should be provided in front of the unit and at least 8 inches should be provided above the junction hood.

Power Connection	
	230/1/60
FLA	11.43
MCA	12.81
RFS	15