

METASYS N2 open GOLD RX/PX/CX/SD, GENERATION E

Applicable to program version 1.10 and newer versions

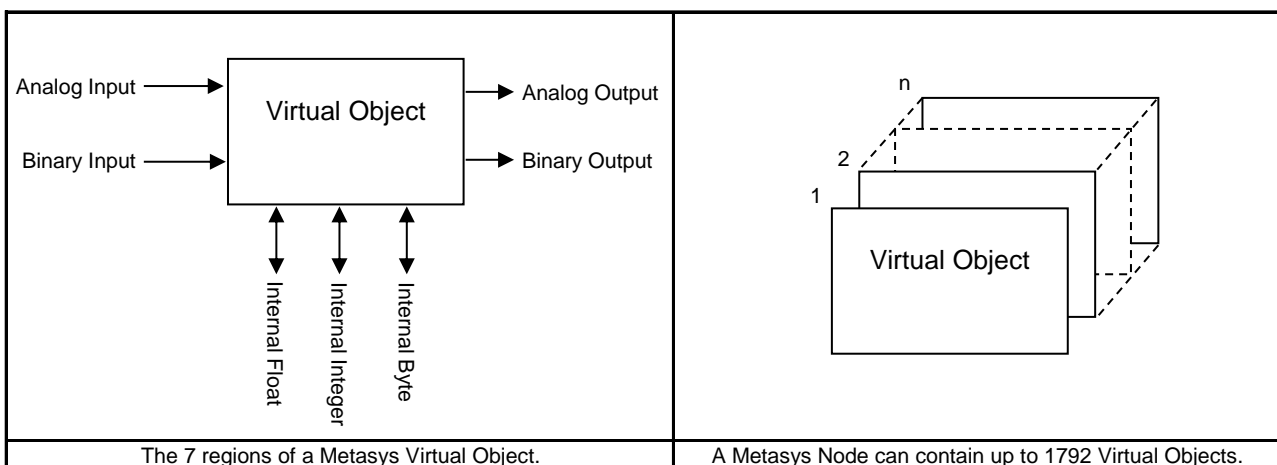
Metasys N2 open

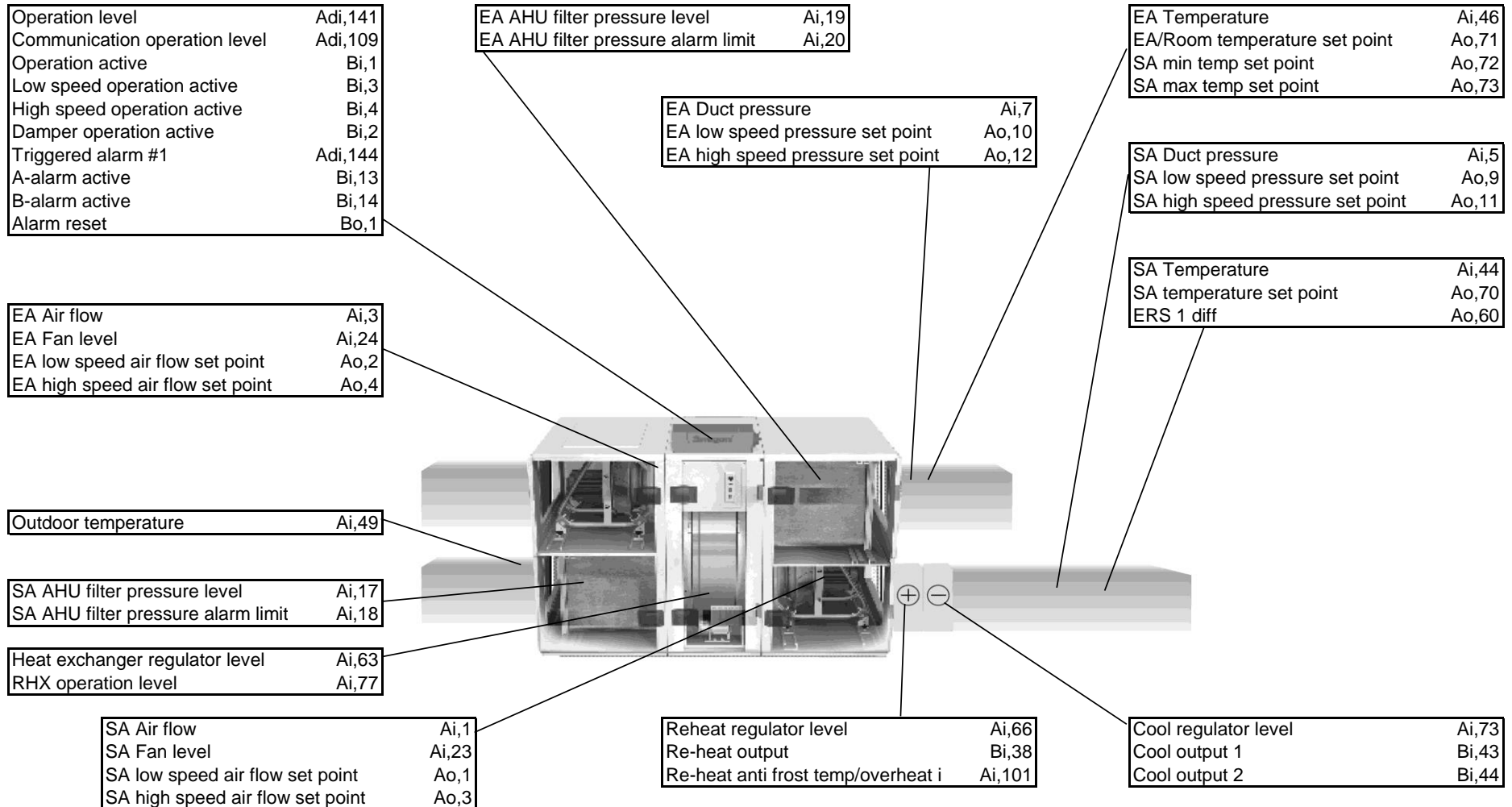
Metasys nodes contains up to 256 Virtual Objects. These virtual objects can be either one of seven region types; 1) Analog Input, 2) Binary Input, 3) Analog Output, 4) Binary Output, 5) Internal Float, 6) Internal Integer and 7) Internal Byte. The Metasys N2 Master performs read and write commands to these Virtual Objects and performs cyclic polling of all the virtual objects as well.

Metasys N2 open Virtual Objects

A virtual object contains data of a specific type. These types are called Regions. A Metasys N2 node may contain up to 256 Virtual Objects per region, which in all gives a total of 1792 virtual objects. In smaller systems it might be desirable to limit the number of virtual objects to reduce memory consumption. The regions are defined as followed.

Region	Type	Short	Description
Region 1	Analog Input	AI	32 bit, IEEE-standard floats.
Region 2	Binary Input	BI	1 bit
Region 3	Analog Output	AO	32 bit, IEEE-standard floats.
Region 4	Binary Output	BO	1 bit
Region 5	Internal Float	IF	32 bit, IEEE-standard floats.
Region 6	Internal Integer	ADI	Signed 16 bit.
Region 7	Internal Byte	IB	8 bit.





Binary Output (BO).1bit (R/W).

N2 Idx	Name	Description	Min	Max	Unit	Default	Misc
Alarm settings							
1	Alarm reset	Resets all active alarms	0	1		0	
2							
3	Internal fire alarm function						
4	Internal fire alarm reset function	0>manual reset, 1=auto reset	0	1		0	
5							
6			0	1		0	
7	External fire alarm no. 1 reset function	0>manual reset, 1=auto reset	0	1		0	
8	External fire alarm no. 2 reset function	0>manual reset, 1=auto reset					
9							
10							
11	External alarm no. 1 reset function	0>manual reset, 1=auto reset	0	1		0	
12	External alarm no. 2 reset function	0>manual reset, 1=auto reset	0	1		0	
13							
14							
15	External alarm no. 1 input function	0=alarm at closed contact, 1=alarm at open contact	0	1		0	
16	External alarm no. 2 input function	0=alarm at closed contact, 1=alarm at open contact	0	1		0	
17							
18							
19							
20							
21							
22							
23							
24							
25							
26							
27							
28							
Pressure sensors zero point calibration							
29	SA flow pressure sensor auto zero calibration		0	1		1	
30	EA flow pressure sensor auto zero calibration		0	1		1	
31	SA duct pressure sensor auto zero calibration		0	1		1	
32	EA duct pressure sensor auto zero calibration		0	1		1	
33	ReCO ₂ pressure sensor auto zero calibration		0	1		1	
34	RHX defrost pressure sensor auto calibration		0	1		1	
35	Carry over control pressure sensor auto calibration		0	1		1	
36	SA filter pressure sensor auto zero calibration		0	1		1	
37	EA filter pressure sensor auto zero calibration		0	1		1	
38	SA pre-filter pressure sensor auto zero calibration		0	1		1	
39	EA pre-filter pressure sensor auto zero calibration		0	1		1	
40	SA end-filter pressure sensor auto zero calibration		0	1		1	
41	PX heat exchange pressure sensor auto calibration		0	1		1	1.21
42							
43							
44							
45							

Binary Output (BO).1bit (R/W).

N2 Idx	Name	Description	Min	Max	Unit	Default	Misc
46	SA flow pressure sensor activate zero calibration	If value is set to 1 for min 1s calibration will be performed.	0	1		0	
47	EA flow pressure sensor activate zero calibration		0	1		0	
48	SA duct pressure sensor activate zero calibration		0	1		0	
49	EA duct pressure sensor activate zero calibration		0	1		0	
50	ReCO ₂ pressure sensor activate calibration		0	1		0	
51	RHX Defrost pressure sensor activate calibration		0	1		0	
52	Carry over control pressure sensor activate zero calibration		0	1		0	
53	SA filter pressure sensor activate zero calibration		0	1		0	
54	EA filter pressure sensor activate zero calibration		0	1		0	
55	SA pre-filter pressure sensor activate zero calibration		0	1		0	
56	EA pre-filter pressure sensor activate zero calibration		0	1		0	
57	SA end-filter pressure sensor activate zero calibration		0	1		0	
58	PX heat exchange pressure sensor activate zero calibration		0	1		1	1.21
59							
60							
61							
62							
AHU external sensors							
63	External room sensor 1 function		0	1		0	
64	External room sensor 2 function		0	1		0	
65	External room sensor 3 function		0	1		0	
66	External room sensor 4 function		0	1		0	
67	External room temp from BMS function		0	1		0	
68	External OA sensor 1 function		0	1		0	
69	External OA sensor 2 function		0	1		0	
70	External OA sensor 3 function		0	1		0	
71	External OA sensor 4 function		0	1		0	
72	External OA temp from BMS function		0	1		0	
AHU Heat exchange							
73	RHX defrost function	Setting for activating the defrost function for the rotary heat exchanger.	0	1		0	
74	RHX defrost calibration		0	1		0	
75	RHX carry over control function	Setting for activating the carry over control function for the rotary heat exchanger.	0	1		0	
76	RHX min exhaust air temp function		0	1		0	
77	PHX periodic operation of bypass damper function		0	1		1	
78	CHX periodic operation of pump function		0	1		1	
79	CHX periodic operation of valve function		0	1		1	
AHU Heat/Cool							
80	Re-heat periodic operation of pump function		0	1		1	
81	Re-heat periodic operation of valve function		0	1		1	
82	Extra regulation sequence 1 output function	0=0-10V, 1=10-0V	0	1		0	
83	Extra regulation 1 periodic operation of pump function		0	1		1	
84	Extra regulation 1 periodic operation of valve function		0	1		1	
85	Extra regulation 1 temperature protection function		0	1		0	
86	Season heat manual setting	0=Re-heat, 1=Extra regulation sequence	0	1		0	
87	Cool relay 1 periodic operation of pump function		0	1		0	
88	Cool relay 2 periodic operation of pump function		0	1		0	
89	Cool periodic operation of valve function		0	1		0	

Binary Output (BO).1bit (R/W).

N2 Idx	Name	Description	Min	Max	Unit	Default	Misc
Summer night cool/Intermittent night heat /Morning boost							
90	Summer night cool function		0	1		0	
91	Intermittent night heat function		0	1		0	
92	Morning boost function		0	1		0	
Cooling boost/heating boost							
93	Heating boost function		0	1		0	
Xzone function							
94	Xzone heat function		0	1		0	
95	Xzone cool function		0	1		0	
Xzone external sensors							
96	Xzone external room sensor 1 function		0	1		0	
97	Xzone external room sensor 2 function		0	1		0	
98	Xzone external room sensor 3 function		0	1		0	
99	Xzone external room sensor 4 function		0	1		0	
100	Xzone external room temp from BMS function		0	1		0	
Xzone Heat/Cool							
101	Xzone reheat periodic operation of pump function		0	1		1	
102	Xzone reheat periodic operation of valve function		0	1		1	
103	Xzone Cool relay 1 periodic operation of pump function		0	1		0	
104	Xzone Cool relay 2 periodic operation of pump function		0	1		0	
105	Xzone Cool periodic operation of valve function		0	1		0	
Pre-heat							
106	Pre-heat function		0	1		0	
107	Pre-heat periodic operation of pump function		0	1		1	
108	Pre-heat periodic operation of valve function		0	1		1	
ReCO₂							
109	ReCO ₂ Calibration		0	1		0	
Humidity/VOC							
110	Humidifying sensor	0=SA, 1=EA	0	1		0	
111	Dehumidifying function	Moved to li,165	0	1		1	1.12
112	Heat exchange active in dehumidifying sequence		0	1		0	
113	VOC sensor function	Moved to li,166	0	1		0	1.23
AYC							
114	AYC Heated water periodic operation of pump		0	1		1	
115	AYC Heated water periodic operation of valve			1		0	
116	AYC Heated water OA temp compensation		0	1		0	
117	AYC Heated water room temp compensation function		0	1		0	
118	AYC Heated water room temp compensation at night	0=Enabled during night, 1=Disabled during night	0	1		0	
119	AYC Heated water night temp compensation function		0	1		0	
120	AYC Chilled water periodic operation of pump		0	1		1	
121	AYC Chilled water periodic operation of valve			1		0	
122	AYC Chilled water OA temp compensation		0	1		0	
123	AYC Chilled water room temp compensation function		0	1		0	
124	AYC Chilled water room temp compensation at night	0=Enabled during night, 1=Disabled during night	0	1		0	
125	AYC Chilled water night temp compensation function		0	1		0	
126	AYC Chilled water dew point compensation air flow boost		0	1		0	
Optimize							
127	Optimize function		0	1		0	
128	Intermittent night heat recirculation function		0	1		1	1.12

Binary Input (BI).1bit (RO).

N2 Idx	Name	Description	Min	Max	Unit	Default	Misc
Operation level/alarm							
1	Operation active	Relay output status	0	1			
2	Damper operation active	Relay output status	0	1			
3	Low speed operation active	Low speed operation status	0	1			
4	High speed operation active	High speed operation status	0	1			
5	Intermittent night heat active		0	1			
6	Morning boost active		0	1			
7	Heating boost active		0	1			
8	Cooling boost active		0	1			
9	Summer night cool active		0	1			
10							
11							
12							
13	A-alarm active	Any alarm with priority class A active	0	1			
14	B-alarm active	Any alarm with priority class B active	0	1			
15							
16							
Heat exchange							
17	HX operation active	HX status	0	1			
18	HX cool recovery active	HX cool recovery status	0	1			
19	HX defrost active	HX defrost status	0	1			
20							
21							
22	RHX speed monitor signal	RHX speed monitor status	0	1			
23							
24							
25							
26							
27	CHX-1 pump output	CHX-1 relay output status	0	1			
28	CHX-1 pump input	CHX-1 digital input status	0	1			
29							
30							

Binary Input (BI).1bit (RO).

N2 Idx	Name	Description	Min	Max	Unit	Default	Misc
AHU Coils							
31	Season heat, extra regulation sequence allowed		0	1			
32	Season heat, re-heat allowed		0	1			
33	Extra regulation sequence 1, output	Relay output status	0	1			
34	Extra regulation sequence 1, power reduction active		0	1			
35	Extra regulation sequence 1, anti-frost regulation active		0	1			
36							
37							
38	Re-heat output	Relay output status	0	1			
39	Re-heat power reduction active		0	1			
40	Re-heat anti-frost regulation active		0	1			
41							
42							
43	Cool output 1	Relay output status	0	1			
44	Cool output 2	Relay output status	0	1			
45							
46							
47							
48							
49							
50							
Pre-heat							
51	Pre-heat output	Relay output status	0	1			
52	Pre-heat power reduction active		0	1			
53	Pre-heat anti-frost regulation active		0	1			
54							
55							
Xzone							
56	Xzone heat output	Relay output status	0	1			
57	Xzone heat power reduction active						
58	Xzone heat anti-frost regulation active						
59							
60							
61							
62							
63	Xzone cool output 1	Relay output status	0	1			
64	Xzone cool output 2	Relay output status	0	1			
65							
66							
67							
68							
69							
70							
71							
72							
73							
74							
75							
76							

Binary Input (BI).1bit (RO).

N2 Idx	Name	Description	Min	Max	Unit	Default	Misc
77							
78							
79							
80							
81							
82							
83							
84							
85							
86							
87							
88							
89							
90							
91							
92							
93							
94							
95							
96							
97							
98							
AYC							
99	AYC heat pump output	Relay output status	0	1			
100	AYC heat pump input	Digital input status	0	1			
101							
102							
103							
104	AYC cool pump output	Relay output status	0	1			
105	AYC cool pump input	Digital input status	0	1			
106							
107							
108							
COOL DX							
109	COOL DX compressor 1 output	Relay output status	0	1			
110	COOL DX compressor 1 input	Digital input status	0	1			
111							
112							
113							
114							
115	COOL DX compressor 2 output	Relay output status	0	1			
116	COOL DX compressor 2 input	Digital input status	0	1			
117							
118							
119							
120							

Binary Input (BI).1bit (RO).

N2 Idx	Name	Description	Min	Max	Unit	Default	Misc
Time schedule							
121	Effective period	0=Inactive, 1=Active	0	1			
122	Exception schedule 1	0=Inactive, 1=Active	0	1			
123	Exception schedule 2	0=Inactive, 1=Active	0	1			
124	Calendar 1	0=Inactive, 1=Active	0	1			
125	Calendar 2	0=Inactive, 1=Active	0	1			

Alarms							
151	Active alarm group 1		0	1			
152	Active alarm group 2		0	1			
153	Active alarm group 3		0	1			
154	Active alarm group 4		0	1			
155	Active alarm group 5		0	1			
156	Active alarm group 6		0	1			
157	Active alarm group 7		0	1			
158	Active alarm group 8		0	1			
159	Active alarm group 9		0	1			
160	Active alarm group 10		0	1			
161	Active alarm group 11		0	1			
162	Active alarm group 12		0	1			
163	Active alarm group 13		0	1			
164	Active alarm group 14		0	1			
165	Active alarm group 15		0	1			
166	Active alarm group 16		0	1			
167	Active alarm group 17		0	1			
168	Active alarm group 18		0	1			
169	Active alarm group 19		0	1			
170	Active alarm group 20		0	1			
171	Active alarm group 21		0	1			
172	Active alarm group 22		0	1			
173	Active alarm group 23		0	1			
174	Active alarm group 24		0	1			
175	Active alarm group 25		0	1			
176	Active alarm group 26		0	1			
177	Active alarm group 27		0	1			
178	Active alarm group 28		0	1			
179	Active alarm group 29		0	1			
180	Active alarm group 30		0	1			
181	Active alarm group 31		0	1			
182	Active alarm group 32		0	1			
183	Active alarm group 33		0	1			
184	Active alarm group 34		0	1			
185	Active alarm group 35		0	1			
186	Active alarm group 36		0	1			
187	Active alarm group 37		0	1			
188	Active alarm group 38		0	1			
189	Active alarm group 39		0	1			
190	Active alarm group 40		0	1			
191	Active alarm group 41		0	1			

Binary Input (BI).1bit (RO).

N2 Idx	Name	Description	Min	Max	Unit	Default	Misc
192	Active alarm group 42		0	1			
193	Active alarm group 43		0	1			
194	Active alarm group 44		0	1			
195	Active alarm group 45		0	1			
196	Active alarm group 46		0	1			
197	Active alarm group 47		0	1			
198	Active alarm group 48		0	1			
199	Active alarm group 49		0	1			
200	Active alarm group 50		0	1			
201	Active alarm group 51		0	1			
202	Active alarm group 52		0	1			
203	Active alarm group 53		0	1			
204	Active alarm group 54		0	1			
205	Active alarm group 55		0	1			
206	Active alarm group 56		0	1			
207	Active alarm group 57		0	1			
208	Active alarm group 58		0	1			
209	Active alarm group 59		0	1			
210	Active alarm group 60		0	1			
211	Active alarm group 61		0	1			
212	Active alarm group 62		0	1			
213	Active alarm group 63		0	1			
214	Active alarm group 64		0	1			
215	Active alarm group 65		0	1			
216	Active alarm group 66		0	1			
217	Active alarm group 67		0	1			
218	Active alarm group 68		0	1			
219	Active alarm group 69		0	1			
220	Active alarm group 70		0	1			
221	Active alarm group 71		0	1			
222	Active alarm group 72		0	1			
223	Active alarm group 73		0	1			
224	Active alarm group 74		0	1			
225	Active alarm group 75		0	1			
226	Active alarm group 76		0	1			
227	Active alarm group 77		0	1			
228	Active alarm group 78		0	1			
229	Active alarm group 79		0	1			
230	Active alarm group 80		0	1			
231	Active alarm group 81		0	1			
232	Active alarm group 82		0	1			
233	Active alarm group 83		0	1			
234	Active alarm group 84		0	1			
235	Active alarm group 85		0	1			
236	Active alarm group 86		0	1			
237	Active alarm group 87		0	1			
238	Active alarm group 88		0	1			
239	Active alarm group 89		0	1			
240	Active alarm group 90		0	1			

Binary Input (BI).1bit (RO).

N2 Idx	Name	Description	Min	Max	Unit	Default	Misc
241	Active alarm group 91		0	1			
242	Active alarm group 92		0	1			
243	Active alarm group 93		0	1			
244	Active alarm group 94		0	1			
245	Active alarm group 95		0	1			
246	Active alarm group 96		0	1			
247	Active alarm group 97		0	1			
248	Active alarm group 98		0	1			
249	Active alarm group 99		0	1			
250	Active alarm group 100		0	1			

Analog Input (AI).32 bit IEEE-standard floats (RO).

N2 Idx	Name	Description	Min	Max	Unit	Default	Misc
Air flow regulation							
1	SA Air flow	Present supply air flow.	0	20000	l/s		
2	SA Air flow regulator	Present supply air flow regulator set point.	0	20000	l/s		
3	EA Air flow	Present extract air flow.	0	20000	l/s		
4	EA Air flow regulator	Present extract air flow regulator set point.	0	20000	l/s		
Pressure regulation							
5	SA Duct pressure	Present supply air duct pressure.	0.0	2000.0	Pa		
6	SA Duct pressure regulator	Present supply air duct pressure regulator set point.	0.0	2000.0	Pa		
7	EA Duct pressure	Present extract air duct pressure.	0.0	2000.0	Pa		
8	EA Duct pressure regulator	Present extract air duct pressure regulator set point.	0.0	2000.0	Pa		
Demand regulation							
9	Demand input level	Present input signal for demand regulation.	0.00	100.00	%		
10	Demand regulator	Present demand regulator set point.	0.00	100.00	%		
Air flow pressure sensors							
11	SA Air flow pressure	Present air flow pressure in the supply air fan inlet.	0.0	2000.0	Pa		
12	EA Air flow pressure	Present air flow pressure in the extract air fan inlet.	0.0	2000.0	Pa		
Filters							
13	SA Pre-filter pressure level	Present supply air pre-filter pressure drop.	0.0	2000.0	Pa		
14	SA Pre-filter pressure alarm limit	Present supply air pre-filter pressure alarm limit.	0.0	2000.0	Pa		
15	EA Pre-filter pressure level	Present extract air pre-filter pressure drop.	0.0	2000.0	Pa		
16	EA Pre-filter pressure alarm limit	Present extract air pre-filter pressure alarm limit.	0.0	2000.0	Pa		
17	SA AHU filter pressure level	Present supply air filter pressure drop.	0.0	2000.0	Pa		
18	SA AHU filter pressure alarm limit	Present supply air filter pressure alarm limit.	0.0	2000.0	Pa		
19	EA AHU filter pressure level	Present extract air filter pressure drop.	0.0	2000.0	Pa		
20	EA AHU filter pressure alarm limit	Present extract air filter pressure alarm limit.	0.0	2000.0	Pa		
21	SA End-filter pressure level	Present supply air end-filter pressure drop.	0.0	2000.0	Pa		
22	SA End-filter pressure alarm limit	Present supply air end-filter pressure alarm limit.	0.0	2000.0	Pa		
Fans							
23	SA Fan level	Present fan speed level of the supply air fan.	0.00	100.00	%		
24	EA Fan level	Present fan speed level of the extract air fan.	0.00	100.00	%		
25	SA Fan speed	Present fan speed level of the supply air fan.	0	4000	rpm		
26	EA Fan speed	Present fan speed level of the extract air fan.	0	4000	rpm		
27	SA Voltage	Present voltage level of the supply air fan.	0	500	V		
28	EA Voltage	Present voltage level of the extract air fan.	0	500	V		
29	SA Fan current	Present current level of the supply air fans. Includes all supply air fans.	0	32.700	A		
30	EA Fan current	Present current level of the extract air fans. Includes all supply air fans.	0	32.700	A		
31	SA Fan power	Present power level of the supply air fans. Includes all supply air fans.	0	45.000	kW		
32	EA Fan power	Present power consumption level of the extract air fans. Includes all extract air fans.	0	45.000	kW		
33	SA Fan kWh	Total power consumption of the supply air fans. Includes all supply air fans.	0	9999	kWh		
34	EA Fan kWh	Total power consumption level of the extract air fans. Includes all extract air fans.	0	9999	kWh		
35	SA Fan MWh	Total power consumption of the supply air fans. Includes all supply air fans.	0	9999	MWh		
36	EA Fan MWh	Total power consumption level of the extract air fans. Includes all extract air fans.	0	9999	MWh		

Analog Input (AI).32 bit IEEE-standard floats (RO).

N2 Idx	Name	Description	Min	Max	Unit	Default	Misc
37							
38							
39	SA Fan min air flow	Supply air AHU min air flow	0	18000	l/s		
40	EA Fan min air flow	Extract air AHU min air flow	0	18000	l/s		
41	SA Fan max air flow	Supply air AHU max air flow	0	18000	l/s		
42	EA Fan max air flow	Extract air AHU max air flow	0	18000	l/s		
43	SFP	Calculated SFP level.	0.0	1000.0	kW/m3/s		
AHU Temperature sensors							
44	SA Temperature	Present supply air temperature.	-55.00	125.00	°C		
45	SA-D Temperature	Present supply air density temperature.	-55.00	125.00	°C		
46	EA Temperature RX	Present extract air temperature in the unit (only AHU type RX).	-55.00	125.00	°C		
47	EA-D Temperature	Present extract air density temperature.	-55.00	125.00	°C		
48	EA Regulation temperature	Present extract air temperature used for regulation.	-55.00	125.00	°C		
49	Outdoor temperature	Present outdoor air temperature in the unit.	-55.00	125.00	°C		
50	Outdoor regulation temperature	Present outdoor air temperature used for regulation.	-55.00	125.00	°C		
51	External outdoor temperature 1	Present external outdoor temperature of sensor 1.	-55.00	125.00	°C		
52	External outdoor temperature 2	Present external outdoor temperature of sensor 2.	-55.00	125.00	°C		
53	External outdoor temperature 3	Present external outdoor temperature of sensor 3.	-55.00	125.00	°C		
54	External outdoor temperature 4	Present external outdoor temperature of sensor 4.	-55.00	125.00	°C		
55	External outdoor temperature min/max/average	Present calculated min, max or average (depending of configuration) temperature of outd. sensor 1-4.	-55.00	125.00	°C		
56	Room temperature 1	Present room temperature of sensor 1.	-55.00	125.00	°C		
57	Room temperature 2	Present room temperature of sensor 2.	-55.00	125.00	°C		
58	Room temperature 3	Present room temperature of sensor 3.	-55.00	125.00	°C		
59	Room temperature 4	Present room temperature of sensor 4.	-55.00	125.00	°C		
60	Room temperature min/max/average	Present calculated min, max or average (depending of configuration) temperature of room sensor 1-4.	-55.00	125.00	°C		
AHU Temperature regulation							
61	SA Temp regulator	Present supply air temperature regulator set point.	0.00	50.00	°C		
62	EA Temp regulator	Present extract air temperature regulator set point.	0.00	50.00	°C		
63	Heat recovery regulator level	Present operation level of the rotary heat exchanger.	0.00	100.00	%		
64	Extra regulation sequence 1 heat regulator level	Present level of extra regulation heat.	0.00	100.00	%		
65	Extra regulation sequence 1 heat output level		0.00	100.00	%		
66	Reheat regulator level	Present level of reheat.	0.00	100.00	%		
67	Reheat output level		0.00	100.00	%		
68	ReCO ₂ heat level	Present level of ReCO ₂ heat.	0.00	100.00	%		
69	Down regulation level	Present level of fan down regulation.	0.00	100.00	%		
70	Heating boost level	Present level of heating boost.	0.00	100.00	%		
71	Extra regulation sequence 1 cool regulator level	Present level of extra regulation cool.	0.00	100.00	%		
72	Extra regulation sequence 1 cool output level	Present level of extra regulation cool.	0.00	100.00	%		
73	Cool regulator level	Present level of cooling.	0.00	100.00	%		
74	Cool output level	Present level of cooling.	0.00	100.00	%		
75	ReCO ₂ cool level	Present level of ReCO ₂ heat.	0.00	100.00	%		
76	Cooling boost level	Present level of cooling boost.	0.00	100.00	%		

Analog Input (AI).32 bit IEEE-standard floats (RO).

N2 Idx	Name	Description	Min	Max	Unit	Default	Misc
AHU heat exchange							
77	RHX operation level	Present speed level of the rotary heat exchanger.	0.00	100.00	%		
78	RHX/PHX/CHX efficiency	Calculated level of the heat exchanger efficiency.	0.00	100.00	%		1.23
79	RHX defrost pressure level	Present pressure drop for the rotary heat exchanger.	0.0	2000.0	Pa		
80	RHX defrost pressure alarm limit	Present pressure drop alarm limit for the rotary heat exchanger.	0.0	2000.0	Pa		
81	RHX carry over control pressure level	Present pressure difference for the rotary heat exchangers purging sector.	0.0	1000.0	Pa		
82							
83	PHX Bypass output	Present level of plate heat exchanger bypass output.	0.00	100.00	%		
84	PHX Bypass input	Present level of plate heat exchanger bypass input.	0.00	100.00	%		
85	PHX Bypass temperature 1	Present bypass temperature sensor 1 in plate heat exchanger.	-55.00	125.00	°C		
86	PHX Bypass temperature 2	Present bypass temperature sensor 2 in plate heat exchanger.	-55.00	125.00	°C		
87	CHX Valve output	Present level of coil heat exchanger valve output.	0.00	100.00	%		
88	CHX Valve input	Present level of coil heat exchanger valve input.	0.00	100.00	%		
89	CHX Return water temperature	Present return water temperature for coil heat exchanger.	-55.00	125.00	°C		
90							
91							
92							
93							
94							
95	PHX/CHX Humidity level	Present level of air-humidity for calculation of bypass/valve limitation.	0.00	100.00	%		
96							
97							
98							
AHU Coils							
99	Extra regulation sequence 1 anti frost temp/overheat input	Present extra regulation anti frost temperature for water heat coil. Value 0=overheat when electric heat is used.	-55.00	125.00	°C		
100	Extra regulation sequence 1 input level		0.00	100.00	%		
101	Re-heat anti frost temp/overheat input	Present anti frost temperature for water heat coil. Value 0=overheat when electric heat is used.	-55.00	125.00	°C		
102	Re-heat input level		0.00	100.00	%		
103	Cool water temperature	Present cool water temperature for water cool coil.	-55.00	125.00	°C		
104	Cool input level		0.00	100.00	%		
Xzone temperature sensors							
105	Xzone SA temperature	Present supply air temperature.	-55.00	125.00	°C		
106	Xzone EA temperature	Present extract air temperature in the unit.	-55.00	125.00	°C		
107	Xzone EA regulation temperature	Present extract air temperature used for regulation.	-55.00	125.00	°C		
108	Xzone Room temperature 1	Present room temperature of sensor 1.	-55.00	125.00	°C		
109	Xzone Room temperature 2	Present room temperature of sensor 2.	-55.00	125.00	°C		
110	Xzone Room temperature 3	Present room temperature of sensor 3.	-55.00	125.00	°C		
111	Xzone Room temperature 4	Present room temperature of sensor 4.	-55.00	125.00	°C		
112	Xzone Room temperature min/max/average	Present calculated min, max or average (depending on configuration) temperature of room sensor 1-4.	-55.00	125.00	°C		
Xzone Temperature regulation							
113	Xzone SA Temp regulator	Present supply air temperature regulator set point.	0.00	50.00	°C		
114	Xzone EA Temp regulator	Present extract air temperature regulator set point.	0.00	50.00	°C		
115	Xzone re-heat regulator level		0.00	100.00	%		
116	Xzone cool regulator level		0.00	100.00	%		

Analog Input (AI).32 bit IEEE-standard floats (RO).

N2 Idx	Name	Description	Min	Max	Unit	Default	Misc
Xzone coils							
117	Xzone heat, anti frost temp/overheat input	Present Xzone heat anti frost temperature for water heat coil. Value 0=Overheat when electric heat is used.	-55.00	125.00	°C		
118	Xzone heat, output level	Present level of Xzone heat output.	0	100.00	%		
119	Xzone heat, input level	Present Xzone heat input.	0	100.00	%		
120	Xzone cool, water temperature		-55.00	125.00	°C		
121	Xzone cool, output level	Present level of Xzone cool.	0	100.00	%		
122	Xzone cool, input level	Present Xzone cool valve position.	0	100.00	%		
Pre-heat							
123	Pre-heat temperature	Present pre-heat temperature.	-55.00	125.00	°C		
124	Pre-heat temp regulator set point	Present pre-heat temperature regulator set point.	-40.00	40.00	°C		
125	Pre-heat temp regulator level		0.00	100.00	%		
126	Pre-heat anti frost temp/overheat input	Present pre-heat anti frost temperature for water heat coil. Value 0=Overheat when electric heat is used.	-55.00	125.00	°C		
127	Pre-heat output level	Present pre-heat output level.	0.00	100.00	%		
128	Pre-heat input level	Present pre-heat input level.	0.00	100.00	%		
ReCO₂							
129	ReCO ₂ recirculation damper output	Present output signal to the recirculation damper.	0.00	100.00	%		
130	ReCO ₂ recirculation damper input	Present input signal from the recirculation damper.	0.00	100.00	%		
131	ReCO ₂ outdoor damper output	Present output signal to the outdoor air damper.	0.00	100.00	%		
132	ReCO ₂ outdoor damper input	Present input signal from the outdoor air damper.	0.00	100.00	%		
133	ReCO ₂ outdoor air flow	Present outdoor air flow level.	0.0	Ai,41	l/s		
134	ReCO ₂ outdoor air flow regulator set point	Present outdoor air flow regulator set point.	0.0	Ai,41	l/s		
VOC							
135	VOC level	Present level of VOC	450	10000	ppm		
COOL DX							
136	COOL DX, compressor 1 low pressure level		0	34.50	Bar		
137	COOL DX, compressor 1 high pressure level		0	45.00	Bar		
138	COOL DX, compressor 2 low pressure level		0	34.50	Bar		
139	COOL DX, compressor 2 high pressure level		0	45.00	Bar		
AYC							
140	AYC Heat, heated water	Present heat temperature.	-55.00	125.00	°C		
141	AYC Heat, heated water set point	Present heat temperature regulator set point.	0	100.00	°C		
142	AYC Heat, valve output	Present level of the heat valve output.	0	100.00	%		
143	AYC Heat, valve input	Present level of the heat valve input.	0	100.00	%		
144	AYC Heated water heat demand		0	100.00	%		
145	AYC Cool, chilled water	Present cool temperature.	-55.00	125.00	°C		
146	AYC Cool, chilled water set point	Present cool temperature regulator set point.	0	100.00	°C		
147	AYC Cool, valve output	Present cool of the heat valve output.	0	100.00	%		
148	AYC Cool, valve input	Present cool of the heat valve input.	0	100.00	%		
149	AYC Chilled water cool demand		0	100.00	%		
Software							
150	IQlogic software version	Present controller software version	0.00	99.00			

Analog Input (AI).32 bit IEEE-standard floats (RO).

N2 Idx	Name	Description	Min	Max	Unit	Default	Misc
Humidity							
151	SA humidity level	Present level of supply air humidity	0.00	100.00	%RH		
152	SA humidity temperature	Present temperature inside the supply air humidity sensor.	-40.00	123.00	°C		
153	SA dew point	Calculated supply air dew point.	-40.00	40.00	°C		
154	EA humidity level	Present level of extract air humidity.	0.00	100.00	%RH		
155	EA humidity temperature	Present temperature inside the extract air humidity sensor.	-40.00	123.00	°C		
156	EA dew point	Calculated extract air dew point.	-40.00	40.00	°C		
157							
158	Dehumidifying SA dew point regulator set point	Present supply air dew point regulator point.	-40.00	40.00	°C		
159	Dehumidifying output level	Present level of the dehumidifying output.	0.00	100.00	%		
160							
161	Humidifying SA regulator set point		0.00	100.00	%RH		
162	Humidifying output level	Present level of the humidifying output.	0.00	100.00	%		
163							
164							
165							
166							
167							
168							
169							
170	EA duct temperature	Present extract air duct air temperature.	-55.00	125.00	°C		1.12
171							
172							

Analog Output (AO).32bit IEEE-standard floats (R/W).

N2 Idx	Name	Description	Min	Max	Unit	Default	Misc
Air flow regulation							
1	SA low speed air flow set point	Supply air flow set point for the unit when running in low speed operation.	0	Ao,3	l/s		
2	EA low speed air flow set point	Extract air flow set point for the unit when running in low speed operation.	0	Ao,4	l/s		
3	SA high speed air flow set point	Supply air flow set point for the unit when running in high speed operation.	Ao,1	Ao,5	l/s		
4	EA high speed air flow set point	Extract air flow set point for the unit when running in high speed operation.	Ao,2	Ao,6	l/s		
5	SA max speed air flow set point bost	Supply air flow max. limit for the unit when the low/high speed operation set point is altered by boosting function etc.	Ao,3	Ai,41	l/s		
6	EA max speed air flow set point bost	Extract air flow max. limit for the unit when the low/high speed operation set point is altered by boosting function etc.	Ao,4	Ai,42	l/s		
7	SA regulation zone	Supply air flow regulation zone setting in % of the present air flow set point that the regulator is allowed to work within.	1.00	10.00	%	7.50	
8	EA regulation zone	Extract air flow regulation zone setting in % of the present air flow set point that the regulator is allowed to work within.	1.00	10.00	%	7.50	
Pressure regulation							
9	SA low speed pressure set point	Supply air duct pressure set point for the unit when running in low speed operation.	0.0	Ai,11	Pa		
10	EA low speed pressure set point	Extract air duct pressure set point for the unit when running in low speed operation.	0.0	Ai,12	Pa		
11	SA high speed pressure set point	Supply air duct pressure for the unit when running in high speed operation.	Ai,9	Ai,13	Pa		
12	EA high speed pressure set point	Extract air duct pressure set point for the unit when running in high speed operation.	Ai,10	Ai,14	Pa		
13	SA max speed pressure set point	Supply air duct pressure max. limit for the unit when the low/high speed operation set point is altered by boosting function etc.	Ai,11	750.0	Pa		
14	EA max speed pressure set point	Extract air duct pressure max. limit for the unit when the low/high speed operation set point is altered by boosting function etc.	Ai,12	750.0	Pa		
15	SA max speed output signal	Max. limit for the supply air fan speed when running in pressure regulation mode.	0	100.00	%		
16	EA max speed output signal	Max. limit for the extract air fan speed when running in pressure regulation mode.	0	100.00	%		
17	SA pressure regulation zone	Supply air pressure regulation zone setting in % of the present duct pressure set point that the regulator is allowed to work within.	0	10.00	%	7.50	
18	EA pressure regulation zone	Extract air pressure regulation zone setting in % of the present duct pressure set point that the regulator is allowed to work within.	0	10.00	%	7.50	
Demand regulation							
19	Demand low speed demand set point	Set point for the 0..10V input signal for the unit when running in low speed operation.	0.00	100.00	%	50.00	
20	Demand high speed demand set point	Set point for the 0..10V input signal for the unit when running in high speed operation.	10.00	100.00	%	25.00	
21	SA min speed air flow set point	Supply air flow min. limit for the unit when the low/high speed operation set point is altered when running in fan regulation mode demand.	Ai,39	Ao,23	l/s		
22	EA min speed air flow set point	Extract air flow min. limit for the unit when the low/high speed operation set point is altered when running in fan regulation mode demand.	Ai,40	Ao,24	l/s		
23	SA max speed air flow set point demand	Supply air flow max limit for the unit when the low/high speed operation set point is altered when running in fan regulation mode demand.	Ao,21	Ai,41	l/s		
24	EA max speed air flow set point demand	Extract air flow max. limit for the unit when the low/high speed operation set point is altered when running in fan regulation mode demand.	Ao,22	Ai,42	l/s		
25	SA demand P-band	Supply air demand regulator P-band setting.	1.00	100.00	%	40.00	
Slave controlled regulation							
26	Slave offset factor		50.00	200.00	%	0.00	

Analog Output (AO).32bit IEEE-standard floats (R/W).

N2 Idx	Name	Description	Min	Max	Unit	Default	Misc
Fans OA temp compensation							
27	Outdoor temp compensation X1		-50.00	Ao,28	°C	-20.00	
28	Outdoor temp compensation X2		Ao,27	Ao,29	°C	-10.00	
29	Outdoor temp compensation X3		Ao,28	Ao,30	°C	10.00	
30	Outdoor temp compensation X4		Ao,29	50.00	°C	20.00	
31	Outdoor temp compensation Y1 SA air flow		Ai,39	Ai,41	l/s		
32	Outdoor temp compensation Y2 SA air flow		Ai,39	Ai,41	l/s		
33	Outdoor temp compensation Y3 SA air flow		Ai,39	Ai,41	l/s		
34	Outdoor temp compensation Y4 SA air flow		Ai,39	Ai,41	l/s		
35	Outdoor temp compensation Y1 EA air flow		Ai,40	Ai,42	l/s		
36	Outdoor temp compensation Y2 EA air flow		Ai,40	Ai,42	l/s		
37	Outdoor temp compensation Y3 EA air flow		Ai,40	Ai,42	l/s		
38	Outdoor temp compensation Y4 EA air flow		Ai,40	Ai,42	l/s		
39	Outdoor temp compensation Y1 SA pressure		20.0	750.0	Pa	100.0	
40	Outdoor temp compensation Y2 SA pressure		20.0	750.0	Pa	100.0	
41	Outdoor temp compensation Y3 SA pressure		20.0	750.0	Pa	100.0	
42	Outdoor temp compensation Y4 SA pressure		20.0	750.0	Pa	100.0	
43	Outdoor temp compensation Y1 EA pressure		20.0	750.0	Pa	100.0	
44	Outdoor temp compensation Y2 EA pressure		20.0	750.0	Pa	100.0	
45	Outdoor temp compensation Y3 EA pressure		20.0	750.0	Pa	100.0	
46	Outdoor temp compensation Y4 EA pressure		20.0	750.0	Pa	100.0	
Fans down regulation							
47	Down regulation neutralzone		0.00	10.00	K	0.00	
48	Down regulation P-band		1.00	10.00	K	5.00	
Fans in operation at active fire alarm							
49	SA fan speed at fire alarm 1		0.00	100.00	%	100.00	
50	EA fan speed at fire alarm 1		0.00	100.00	%	100.00	
51	SA fan speed at fire alarm 2		10.00	100.00	%	100.00	
52	EA fan speed at fire alarm 2		10.00	100.00	%	100.00	
53	SA fan speed at internal fire alarm		10.00	100.00	%	100.00	
54	EA fan speed at internal fire alarm		10.00	100.00	%	100.00	
Filters							
55	SA pre-filter alarm limit		30.0	500.0	Pa	100.0	
56	EA pre-filter alarm limit		30.0	500.0	Pa	100.0	
57	SA AHU-filter alarm limit		30.0	500.0	Pa	100.0	
58	EA AHU-filter alarm limit		30.0	500.0	Pa	100.0	
59	SA end-filter alarm limit		30.0	500.0	Pa	100.0	
ERS-1 reg.							
60	ERS 1 diff	Supply air temp difference setting according to the diagram for ERS 1.	1.00	7.00	K	2.00	
61	ERS 1 breakpoint	Breakpoint temp setting according to the diagram for ERS 1.	12.00	26.00	°C	22.00	
ERS-2 reg.							
62	ERS 2 breakpoint X1	Breakpoint X1 setting according to the diagram for ERS 2.	10.00	Ao,63	°C	15.00	
63	ERS 2 breakpoint X2	Breakpoint X2 setting according to the diagram for ERS 2.	Ao,62	Ao,64	°C	20.00	
64	ERS 2 breakpoint X3	Breakpoint X3 setting according to the diagram for ERS 2.	Ao,63	Ao,65	°C	22.00	
65	ERS 2 breakpoint X4	Breakpoint X4 setting according to the diagram for ERS 2.	Ao,64	40.00	°C	24.00	
66	ERS 2 breakpoint Y1	Breakpoint Y1 setting according to the diagram for ERS 2.	10.00	40.00	°C	20.00	
67	ERS 2 breakpoint Y2	Breakpoint Y2 setting according to the diagram for ERS 2.	10.00	40.00	°C	18.00	
68	ERS 2 breakpoint Y3	Breakpoint Y3 setting according to the diagram for ERS 2.	10.00	40.00	°C	14.00	
69	ERS 2 breakpoint Y4	Breakpoint Y4 setting according to the diagram for ERS 2.	10.00	40.00	°C	12.00	
SA Reg.							
70	SA temperature set point	Supply air temperature setting, for supply air temp regulation mode.	10.00	40.00	°C	21.00	

Analog Output (AO).32bit IEEE-standard floats (R/W).

N2 Idx	Name	Description	Min	Max	Unit	Default	Misc
EA Reg.							
71	EA/Room temperature set point	Extract air/room temperature setting, for Extract air/room temp regulation mode.	10.00	40.00	°C	21.00	
72	SA min temp set point	Supply air min. set point during EA/room regulation mode.	8.00	30.00	°C	16.00	
73	SA max temp set point	Supply air max. set point during EA/room regulation mode.	16.00	50.00	°C	28.00	
74	EA regulaion P-band		1.00	10.00	K	5.00	
ORS Reg.							
75	ORS breakpoint X1	Breakpoint X1 setting according to the diagram for ORS.	-5.00	Ao,76	°C	-20.00	
76	ORS breakpoint X2	Breakpoint X2 setting according to the diagram for ORS.	Ao,75	Ao,77	°C	-10.00	
77	ORS breakpoint X3	Breakpoint X3 setting according to the diagram for ORS.	Ao,76	Ao,78	°C	10.00	
78	ORS breakpoint X4	Breakpoint X4 setting according to the diagram for ORS.	Ao,77	50.00	°C	20.00	
79	ORS breakpoint Y1	Breakpoint Y1 setting according to the diagram for ORS.	10.00	40.00	°C	21.50	
80	ORS breakpoint Y2	Breakpoint Y2 setting according to the diagram for ORS.	10.00	40.00	°C	21.50	
81	ORS breakpoint Y3	Breakpoint Y3 setting according to the diagram for ORS.	10.00	40.00	°C	21.50	
82	ORS breakpoint Y4	Breakpoint Y4 setting according to the diagram for ORS.	10.00	40.00	°C	21.50	
ORE Reg.							
83	ORE breakpoint X1	Breakpoint X1 setting according to the diagram for ORE.	-5.00	Ao,84	°C	-20.00	
84	ORE breakpoint X2	Breakpoint X2 setting according to the diagram for ORE.	Ao,83	Ao,85	°C	-10.00	
85	ORE breakpoint X3	Breakpoint X3 setting according to the diagram for ORE.	Ao,84	Ao,86	°C	10.00	
86	ORE breakpoint X4	Breakpoint X4 setting according to the diagram for ORE.	Ao,85	50.00	°C	20.00	
87	ORE breakpoint Y1	Breakpoint Y1 setting according to the diagram for ORE.	10.00	40.00	°C	21.50	
88	ORE breakpoint Y2	Breakpoint Y2 setting according to the diagram for ORE.	10.00	40.00	°C	21.50	
89	ORE breakpoint Y3	Breakpoint Y3 setting according to the diagram for ORE.	10.00	40.00	°C	21.50	
90	ORE breakpoint Y4	Breakpoint Y4 setting according to the diagram for ORE.	10.00	40.00	°C	21.50	
AHU external sensors							
91	External room temp from BMS		-55.00	125.00	°C	0.00	
92	External OA temp from BMS		-55.00	125.00	°C	0.00	
AHU Heat exchange							
93	RHX defrost start limit		30.0	100.0	Pa	50.0	
94	RHX min exhaust air temp set point		-40.00	20.00	°C	5.00	
95	RHX min exhaust air temp P-band		1.00	40.00	K	8.00	
96	PHX/CHX Bypass defrost limit	PHX is default 3°C, CHX is default 5°C.	-10.00	5.00	°C		
97	PHX/CHX Bypass defrost P-band		1.00	40.00	K	20.00	
98	Heat exchange temperature regulation P-band		1.00	10.00	K	6.00	
AHU Heat/Cool							
99	Re-heat P-band		1.00	10.00	K	8.00	
100	Extra regulation sequence 1 heat max output signal	Maximum output signal setting for the extra regulation sequence.	0.00	100.00	%	100.00	
101	Extra regulation sequence 1 cool max output signal	Maximum output signal setting for the extra regulation sequence.	0.00	100.00	%	100.00	
102	Extra regulation sequence 1 heat P-band		1.00	10.00	K	8	
103	Extra regulation sequence 1 cool P-band		1.00	10.00	K	6	
104	Extra regulation 1 temperature protection temperature		-50.00	100.00	°C	0.00	
105	Cool SA neutral zone		0.50	10.00	K	2.00	
106	Cool EA neutral zone		0.50	10.00	K	2.00	
107	Cool outdoor temp limit 1		0.00	30.00	°C	15.00	
108	Cool outdoor temp limit 2		0.00	30.00	°C	18.00	
109	Cool outdoor temp limit 3		0.00	30.00	°C	20.00	
110	Cool min supply air flow limit		0	Ai,41	l/s		
111	Cool min extract air flow limit		0	Ai,42	l/s		
112	Cool P-band		1.00	10.00	K	6	

Analog Output (AO).32bit IEEE-standard floats (R/W).

N2 Idx	Name	Description	Min	Max	Unit	Default	Misc
Summer night cool/Intermittent night heat /Morning boost							
113	Summer night cool OA temp start limit		-5.00	15.00	°C	10.00	
114	Summer night cool EA temp start limit		17.00	27.00	°C	22.00	
115	Summer night cool EA temp stop limit		12.00	22.00	°C	16.00	
116	Summer night cool SA temp set point		0.00	20.00	°C	10.00	
117	Intermittent night heat SA flow set point		Ai,39	Ai,41	l/s		
118	Intermittent night heat SA duct pressure set point		20	750	Pa	100	
119	Intermittent night heat EA temp start limit		5.00	Ao,200	°C	16.00	
120	Intermittent night heat EA temp stop limit		Ao,119	25.00	°C	18.00	
121	Intermittent night heat SA temp set point		5.00	50.00	°C	28.00	
122	Morning boost air flow set point		Ai,39	Ai,41	l/s		
123	Morning boost duct pressure set point		20	750	Pa	100	
Cooling boost/heating boost							
124	Cooling boost comfort start limit		2.00	10.00	K	3.00	
125	Cooling boost comfort regulation speed		1	25	%/s	4	
126	Cooling boost economy P-band		1	10.00	K		
127	Heating boost comfort start limit		2.00	10.00	K	3.00	
128	Heating boost comfort regulation speed		1	25	%/s	4	
Xzone ERS-1 reg.							
129	Xzone ERS 1 diff	Supply air temp differential setting according to the diagram for ERS 1.	1	7.00	K	2.00	
130	Xzone ERS 1 breakpoint	Breakpoint temp setting according to the diagram for ERS 1.	12.00	26.00	°C	22.00	
Xzone ERS-2 reg.							
131	Xzone ERS 2 breakpoint X1	Breakpoint X1 setting according to the diagram for ERS 2.	10	Ao,132	°C	15.00	
132	Xzone ERS 2 breakpoint X2	Breakpoint X2 setting according to the diagram for ERS 2.	Ao,131	Ao,133	°C	20.00	
133	Xzone ERS 2 breakpoint X3	Breakpoint X3 setting according to the diagram for ERS 2.	Ao,132	Ao,134	°C	22.00	
134	Xzone ERS 2 breakpoint X4	Breakpoint X4 setting according to the diagram for ERS 2.	Ao,133	40.00	°C	24.00	
135	Xzone ERS 2 breakpoint Y1	Breakpoint Y1 setting according to the diagram for ERS 2.	10.00	40.00	°C	20.00	
136	Xzone ERS 2 breakpoint Y2	Breakpoint Y2 setting according to the diagram for ERS 2.	10.00	40.00	°C	18.00	
137	Xzone ERS 2 breakpoint Y3	Breakpoint Y3 setting according to the diagram for ERS 2.	10.00	40.00	°C	14.00	
138	Xzone ERS 2 breakpoint Y4	Breakpoint Y4 setting according to the diagram for ERS 2.	10.00	40.00	°C	12.00	
Xzone SA Reg.							
139	Xzone SA temperature set point	Supply air temperature setting, for supply air temp regulation mode.	10.00	40.00	°C	21.00	
Xzone EA Reg.							
140	Xzone EA/Room temperature set point	Extract air/room temperature setting, for Extract air/room temp regulation mode.	10.00	40.00	°C	21.00	
141	Xzone SA min temp set point	Supply air min. set point during EA/room regulation mode.	8.00	20.00	°C	16.00	
142	Xzone SA max temp set point	Supply air max. set point during EA/room regulation mode.	16.00	50.00	°C	28.00	
143	Xzone EA regulaion P-band		1.00	10.00	K	5.00	
Xzone ORS Reg.							
144	Xzone ORS breakpoint X1	Breakpoint X1 setting according to the diagram for ORS.	-5.00	Ao,145	°C	-20.00	
145	Xzone ORS breakpoint X2	Breakpoint X2 setting according to the diagram for ORS.	Ao,144	Ao,146	°C	-10.00	
146	Xzone ORS breakpoint X3	Breakpoint X3 setting according to the diagram for ORS.	Ao,145	Ao,147	°C	10.00	
147	Xzone ORS breakpoint X4	Breakpoint X4 setting according to the diagram for ORS.	Ao,146	50.00	°C	20.00	
148	Xzone ORS breakpoint Y1	Breakpoint Y1 setting according to the diagram for ORS.	10.00	40.00	°C	21.50	
149	Xzone ORS breakpoint Y2	Breakpoint Y2 setting according to the diagram for ORS.	10.00	40.00	°C	21.50	
150	Xzone ORS breakpoint Y3	Breakpoint Y3 setting according to the diagram for ORS.	10.00	40.00	°C	21.50	
151	Xzone ORS breakpoint Y4	Breakpoint Y4 setting according to the diagram for ORS.	10.00	40.00	°C	21.50	

Analog Output (AO).32bit IEEE-standard floats (R/W).

N2 Idx	Name	Description	Min	Max	Unit	Default	Misc
Xzone ORE Reg.							
152	Xzone ORE breakpoint X1	Breakpoint X1 setting according to the diagram for ORE.	-5.00	Ao,153	°C	-20.00	
153	Xzone ORE breakpoint X2	Breakpoint X2 setting according to the diagram for ORE.	Ao,152	Ao,154	°C	-10.00	
154	Xzone ORE breakpoint X3	Breakpoint X3 setting according to the diagram for ORE.	Ao,153	Ao,155	°C	10.00	
155	Xzone ORE breakpoint X4	Breakpoint X4 setting according to the diagram for ORE.	Ao,154	50.00	°C	20.00	
156	Xzone ORE breakpoint Y1	Breakpoint Y1 setting according to the diagram for ORE.	10.00	40.00	°C	21.50	
157	Xzone ORE breakpoint Y2	Breakpoint Y2 setting according to the diagram for ORE.	10.00	40.00	°C	21.50	
158	Xzone ORE breakpoint Y3	Breakpoint Y3 setting according to the diagram for ORE.	10.00	40.00	°C	21.50	
159	Xzone ORE breakpoint Y4		10.00	40.00	°C	21.50	
Xzone external sensors							
160	Xzone external room temp from BMS		-55.00	125.00	°C	0.00	
Xzone Heat/Cool							
161	Xzone reheat P-band		1.00	10.00	K	8.00	
162	Xzone Cool SA neutral zone		0.50	10.00	K	2.00	
163	Xzone Cool EA neutral zone		0.50	10.00	K	2.00	
164	Xzone Cool P-band		1.00	10.00	K	6.00	
Pre-heat							
165	Pre-heat temperature set point		-40.00	40.00	°C	5.00	
166	Pre-heat P-band		1.00	10.00	K	8.00	
ReCO₂							
167	ReCO ₂ -CO ₂ set point		0.00	100.00	%	50.00	
168	ReCO ₂ min. outdoor air		0	Ai,41	l/s		
169	ReCO ₂ min. exhaust air		0	Ai,42	l/s		
170	ReCO ₂ -CO ₂ P-band		1.00	100.00	%	50.00	
171	ReCO ₂ -CO ₂ air flow boost reg. P-band		10.00	100.00	%	50.00	
172	ReCO ₂ heat P-band		1.00	10.00	K	7.00	
173	ReCO ₂ cool P-band		1.00	10.00	K	6.00	
Humidity/VOC							
174	Humidifying on/off start level		10.00	Ao,175	%RH	40.00	
175	Humidifying on/off stop level		Ao,174	95.00	%RH	45.00	
176	Humidifying 0-10V set point		10.00	95.00	%RH	30.00	
177	Humidifying 0-10V SA max set point		10.00	95.00	%RH	80.00	
178	Humidifying 0-10V SA P-band		1.00	80.00	%RH	60.00	
179	Humidifying 0-10V EA P-band		1.00	80.00	%RH	60.00	
180	Dehumidifying set point		10.00	90.00	%RH	50.00	
COOL DX							
181	COOL DX Low pressure stop limit		1.00	10.00	Bar	3.00	
182	COOL DX High pressure stop limit		25.00	40.00	Bar	39.00	

Analog Output (AO).32bit IEEE-standard floats (R/W).

N2 Idx	Name	Description	Min	Max	Unit	Default	Misc
AYC							
183	AYC Heated water temp set point		10.00	80.00	°C	30.00	
184	AYC Heated water OA temp for start of pump		-40.00	40.00		15.00	
185	AYC Heated water OA temp for stop of pump		-40.00	40.00		18.00	
186	AYC Heated water OA temp compensation X1		-40.00	Ao,187	°C	-20.00	
187	AYC Heated water OA temp compensation X2		Ao,186	Ao,188	°C	0.00	
188	AYC Heated water OA temp compensation X3		Ao,187	Ao,189	°C	5.00	
189	AYC Heated water OA temp compensation X4		Ao,188	40.00	°C	15.00	
190	AYC Heated water OA temp compensation Y1		-40.00	40.00	°C	40.00	
191	AYC Heated water OA temp compensation Y2		-40.00	40.00	°C	30.00	
192	AYC Heated water OA temp compensation Y3		-40.00	40.00	°C	20.00	
193	AYC Heated water OA temp compensation Y4		-40.00	40.00	°C	15.00	
194	AYC Heated water room temp compensation temperature		0.00	40.00	°C	21.00	
195	AYC Heated water room temp compensation P-band		1.00	10.00	K	5.00	
196	AYC Heated water night temp compensation temp		-10.00	10.00	K	-2.00	
197	AYC Heated water P-band		1.00	40.00	K	15.00	
198	AYC Chilled water temp set point		10.00	80.00	°C	30.00	
199	AYC Chilled water OA temp for start of pump		-40.00	40.00		15.00	
200	AYC Chilled water OA temp for stop of pump		-40.00	40.00		18.00	
201	AYC Chilled water OA temp compensation X1		-40.00	Ao,202	°C	-20.00	
202	AYC Chilled water OA temp compensation X2		Ao,201	Ao,203	°C	0.00	
203	AYC Chilled water OA temp compensation X3		Ao,202	Ao,204	°C	5.00	
204	AYC Chilled water OA temp compensation X4		Ao,203	40.00	°C	15.00	
205	AYC Chilled water OA temp compensation Y1		-40.00	40.00	°C	40.00	
206	AYC Chilled water OA temp compensation Y2		-40.00	40.00	°C	30.00	
207	AYC Chilled water OA temp compensation Y3		-40.00	40.00	°C	20.00	
208	AYC Chilled water OA temp compensation Y4		-40.00	40.00	°C	15.00	
209	AYC Chilledwater room temp compensation temperature		0.00	40.00	°C	21.00	
210	AYC Chilled water room temp compensation P-band		1.00	10.00	K	5.00	
211	AYC Chilled water night temp compensation temp		-10.00	10.00	K	-2.00	
212	AYC Chilled water dew point compensation neutral zone		0	5.00	K	2.00	
213	AYC Chilled water dew point compensation regulation speed	Percent air flow boost of each increased chilled water set point.	0	30.00	%/K	10.00	
214	AYC Chilled water P-band		1.00	40.00	K	15.00	
Optimize							
215	Optimize SA pressure set point		20.0	750.0	Pa	0	
216	Optimize EA pressure set point		20.0	750.0	Pa	0	
MISC							
217	Cool exchange temperature regulation P-band		1.00	10.00	K	6.00	1.11
218	Intermittent night heat EA flow set point		Ai,40	Ai,42	l/s		1.12
219	Intermittent night heat EA duct pressure set point		20	750	Pa		1.12
220	Summer night cool SA flow set point		Ai,39	Ai,41	l/s		1.22
221	Summer night cool EA flow set point		Ai,40	Ai,42	l/s		1.22
222	Summer night cool SA duct pressure set point		20	750	Pa	100	1.22
223	Summer night cool EA duct pressure set point		20	750	Pa	100	1.22

Internal Integer (ADI).Signed 16bit(RW 1-116, RO 117-163)

N2 Idx	Name	Description	Min	Max	Unit	Default	Misc
AHU fan regulation							
1	SA Fan regulation mode	Setting of regulation type for the supply air fan. 0=Air flow reg. 1=Pressure reg. 2=Demand reg. 3=Slave controlled by EA fan	0	3		0	
2	EA Fan regulation mode	Setting of regulation type for the extract air fan. 0=Air flow reg. 1=Pressure reg. 2=Demand reg. 3=Slave controlled by SA fan	0	3		0	
Air flow regulation							
3	SA regulation I-time	Supply air flow regulator affection setting.	1	1800	s	30	
4	EA regulation I-time	Extract air flow regulator affection setting.	1	1800	s	30	
Pressure regulation							
5	SA pressure I-time	Supply air pressure regulator affection setting.	0	1800	s	30	
6	EA pressure I-time	Extract air pressure regulator affection setting.	0	1800	s	30	
Demand regulation							
7	SA demand I-time	Supply air demand regulator affection setting.	1	1800	s	1200	
Fans OA temp compensation							
8	Outdoor temp compensation function	0=Inactive, 1=Active at low speed, 2=Active at high speed, 3=Active at low and high speed.	0	3		0	
Fans down regulation							
9	Down regulation function	0=Inactive, 1=SA, 2=SA and EA	0	2		1	
10	Down regulation I-time		1	1800	s	30	
Fans in operation at active fire alarm							
11	Fans in operation at fire alarm 1 function	0=Inactive, 1=SA, 2=EA, 3=SA and EA	0	3			
12	Fans in operation at fire alarm 2 function	0=Inactive, 1=SA, 2=EA, 3=SA and EA	0	3			
13	Fans in operation at internal fire alarm function	0=Inactive, 1=SA, 2=EA, 3=SA and EA	0	3			
Filters							
14	Pre-filter function	0=Inactive, 1=SA, 2=EA, 3=SA and EA	0	3		0	
15	Pre-filter calibration	0=Inactive, 1=SA, 2=EA, 3=SA and EA	0	3		0	
16	AHU filter function	0=Inactive, 1=SA, 2=EA, 3=SA and EA	0	3			
17	AHU filter calibration	0=Inactive, 1=SA, 2=EA, 3=SA and EA	0	3		0	
AHU Temperature regulation							
18	Temperature regulation mode	1=ERS-1, 2=ERS-2, 3=SA, 4=EA, 5=ORS, 6=ORE	1	6		3	
ERS-1 reg.							
19	ERS 1 step	Curve setting according to the diagram for ERS 1.	1	4		2	
EA Reg.							
20	EA regulaion I-time		1	1800	s	30	
AHU external sensors							
21	External room sensors measurement function	0=Average, 1=Min, 2=Max	0	2		0	
22	External room temp from BMS alarm time		0	9999	min	5	
23	External OA sensors measurement function	0=Average, 1=Min, 2=Max	0	2		0	
24	External OA temp from BMS alarm time		0	9999	min	5	
AHU Heat exchange							
25	PHX periodic operation interval		0	168	h	24	
26	PHX periodic operation time		0	60	min	3	
27	CHX periodic operation interval		0	168	h	24	
28	CHX periodic operation time		0	60	min	3	
29	PHX/CHX Bypass defrost I-time		1	600	s	60	
30	Heat exchange temperature regulation I-time		1	1800	s	50	

Internal Integer (ADI).Signed 16bit(RW 1-116, RO 117-163)

N2 Idx	Name	Description	Min	Max	Unit	Default	Misc
AHU Heat/Cool							
31	Re-heat I-time		1	1800	s	70	
32	Re-heat periodic operation interval		0	168	h	24	
33	Re-heat periodic operation time		0	60	min	3	
34	Extra regulation sequence 1 function	0=Inactive, 1=Heat, 2=Cool, 3=Heat and Cool.	0	3		0	
35	Extra regulation sequence 1 heat I-time		1	1800	s	70	
36	Extra regulation sequence 1 cool I-time		1	1800	s	60	
37	Extra regulation 1 periodic operation interval		0	168	h	24	
38	Extra regulation 1 periodic operation time		0	60	min	3	
39	Extra regulation 1 temperature protection alarm delay		0	9999	min	5	
40	Season heat function	0=Inactive, 1=Extra regulation sequence at closed input, 2=Extra regulation sequence at open input, 3=Manual mode.	0	3		0	
41	Cool on/off regulation function	0=Inactive, 1=1 step, 2=2 steps, 3=3 steps.	0	3		0	
42	Cool restart time	Setting of cool restart time between start-start.	0	15	min	5	
43	Cool step up delay time	Setting of on/off cooling and COOL DX time delay between steps.	0	10	min	5	
44	Cool stand still time	Setting of on/off cooling and COOL DX time delay before stop-start	0	20	min	5	
45	Cool I-time		1	1800	s	60	
46	Cool periodic operation interval		0	168	h	24	
47	Cool periodic operation time		0	60	min	3	
Summer night cool/Intermittent night heat /Morning boost							
48	Summer night cool start time (hour)		0	23	h	23	
49	Summer night cool start time (minute)		0	59	min	0	
50	Summer night cool stop time (hour)		0	23	h	23	
51	Summer night cool stop time (minute)		0	59	min	0	
52	Morning boost start time (hour)		0	23	h	0	
53	Morning boost start time (minute)		0	59	min	0	
Cooling boost/heating boost							
54	Cooling boost function	0=Inactive, 1=Comfort, 2=Economy, 3=Sequence, 4=Comfort and Economy, 5=Economy and Sequence	0	5		0	
55	Cooling boost economy I-time		1	1800	s		
Xzone temperature regulation							
56	Xzone temperature regulation mode	1=ERS-1, 2=ERS-2, 3=SA, 4=EA, 5=ORS, 6=ORE	1	6		1	
Xzone ERS-1 reg.							
57	Xzone ERS 1 step	Curve setting according to the diagram for ERS 1.	1	4			
Xzone EA Reg.							
58	Xzone EA regulaion I-time		1	1800	s	180	
Xzone external sensors							
59	Xzone external room sensors measurement function	0=Average, 1=Min, 2=Max	0	2		0	
60	Xzone external room temp from BMS alarm time		0	9999	min	5	
Xzone Heat/Cool							
61	Xzone reheat I-time		1	1800	s	70	
62	Xzone reheat periodic operation interval		0	168	h	24	
63	Xzone reheat periodic operation time		0	60	min	3	
64	Xzone Cool on/off regulation function	0=Inactive, 1=1 step, 2=2 steps, 3=3 steps.	0	3		0	
65	Xzone Cool I-time		1	1800	s	60	
66	Xzone Cool periodic operation interval		0	168	h	24	
67	Xzone Cool periodic operation time		0	60	min	3	

Internal Integer (ADI).Signed 16bit(RW 1-116, RO 117-163)

N2 Idx	Name	Description	Min	Max	Unit	Default	Misc
Pre-heat							
68	Pre-heat I-time		1	1800	s	70	
ReCO₂							
69	ReCO ₂ -CO ₂ function	0=Inactive, 1=CO ₂ , 2=CO ₂ and air flow boost	0	2		0	
70	ReCO ₂ temperature regulation sequence function	0=Inactive, 1=Heat, 2=Cool, 3=Heat and Cool.	0	3		0	
71	ReCO ₂ -CO ₂ I-time		1	1800	s	60	
72	ReCO ₂ -CO ₂ air flow boost reg. I-time		1	1800	s	60	
73	ReCO ₂ heat I-time		1	1800	s	70	
74	ReCO ₂ cool I-time		1	1800	s	60	
Humidity/VOC							
75	Humidifying function	0=Inactive, 1=on/off, 2=0-10V	0	2		0	
76	Humidifying 0-10V SA I-time		1	1800	s	30	
77	Humidifying 0-10V EA I-time		1	1800	s	180	
COOL DX							
78	COOL DX Function	0=Inactive, 1=Economy, 2=Comfort, 3=Top	0	3		0	
79	COOL DX Restart time	Time setting between start - start	5	15	min	5	
AYC							
80	AYC Function	0=Inactive, 1=Chilled water, 2=Heated water, 3=Chilled and heated water	0	3		0	
81	AYC Heated water alarm function for pump	0=Inactive, 1= Alarm at open contact, 2=Alarm at closed contact, 3=Contactor	0	3		0	
82	AYC Heated water periodic operation interval		0	168	h	24	
83	AYC Heated water periodic operation time		0	60	min	3	
84	AYC Heated water night temp compensation time 1 (days)	0=Inactive, 1=Monday, 2=Tuesday, 3=Wednesday, 4=Thursday, 5=Friday, 6=Saturday, 7=Sunday, 8=Monday to Friday, 9= Monday to Sunday, 10=Saturday to Sunday.	0	10		0	
85	AYC Heated water night temp compensation start time 1 (hour)		0	23	h	0	
86	AYC Heated water night temp compensation start time 1 (minutes)		0	59	min	0	
87	AYC Heated water night temp compensation stop time 1 (hour)		0	23	h	0	
88	AYC Heated water night temp compensation stop time 1 (minutes)		0	59	min	0	
89	AYC Heated water night temp compensation time 2 (days)	0=Inactive, 1=Monday, 2=Tuesday, 3=Wednesday, 4=Thursday, 5=Friday, 6=Saturday, 7=Sunday, 8=Monday to Friday, 9= Monday to Sunday, 10=Saturday to Sunday.	0	10		0	
90	AYC Heated water night temp compensation start time 2 (hour)		0	23	h	0	
91	AYC Heated water night temp compensation start time 2 (minutes)		0	59	min	0	
92	AYC Heated water night temp compensation stop time 2 (hour)		0	23	h	0	
93	AYC Heated water night temp compensation stop time 2 (minutes)		0	59	min	0	
94	AYC Heated water I-time		1	600	s	60	
95	AYC Chilled water alarm function for pump	0=Inactive, 1= Alarm at open contact, 2=Alarm at closed contact, 3=Contactor	0	3		0	
96	AYC Chilled water periodic operation interval		0	168	h	24	
97	AYC Chilled water periodic operation time		0	60	min	3	
98	AYC Chilled water night temp compensation time 1 (days)	0=Inactive, 1=Monday, 2=Tuesday, 3=Wednesday, 4=Thursday, 5=Friday, 6=Saturday, 7=Sunday, 8=Monday to Friday, 9= Monday to Sunday, 10=Saturday to Sunday.	0	10		0	
99	AYC Chilled water night temp compensation start time 1 (hour)		0	23	h	0	
100	AYC Chilled water night temp compensation start time 1 (minutes)		0	59	min	0	
101	AYC Chilled water night temp compensation stop time 1 (hour)		0	23	h	0	
102	AYC Chilled water night temp compensation stop time 1 (minutes)		0	59	min	0	

Internal Integer (ADI).Signed 16bit(RW 1-116, RO 117-163)

N2 Idx	Name	Description	Min	Max	Unit	Default	Misc
103	AYC Chilled water night temp compensation time 2 (days)	0=Inactive, 1=Monday, 2=Tuesday, 3=Wednesday, 4=Thursday, 5=Friday, 6=Saturday, 7=Sunday, 8=Monday to Friday, 9= Monday to Sunday, 10=Saturday to Sunday.	0	10		0	
104	AYC Chilled water night temp compensation start time 2 (hour)		0	23	h	0	
105	AYC Chilled water night temp compensation start time 2 (minutes)		0	59	min	0	
106	AYC Chilledwater night temp compensation stop time 2 (hour)		0	23	h	0	
107	AYC Chilled water night temp compensation stop time 2 (minutes)		0	59	min	0	
108	AYC Chilled water l-time		1	600	s	60	
Operation level settings							
109	Communication operation level	0=auto, 1=total stop, 2=low speed, 3=high speed, 4=normal stop, 5=extended normal stop.	0	5		0	
Time schedule							
110	Year	Setting for the unit's internal clock	2000	2099		2000	
111	Month	Setting for the unit's internal clock	1	12		1	
112	Date	Setting for the unit's internal clock	1	31		1	
113	Hour	Setting for the unit's internal clock	0	23		0	
114	Minute	Setting for the unit's internal clock	0	59		0	
115	Second	Setting for the unit's internal clock	0	59		0	
116	Default action	1=Total stop, 2=Low speed, 3=High speed, 4=Normal stop, 5=Extended normal stop	1	5		2	
AHU Air flow/duct pressure							
117	Component name	25=IQlogic	0	999			
118	Application id/AHU Type	10=GOLD RX, 11=GOLD PX, 12=GOLD CX, 13=GOLD SD/SA,14=GOLD SD/EA, 15=GOLD SD/SA+CX, 16=GOLD SD/SA+EA, 17=GOLD SD/SA+EA+CX	0	999			
Fans							
119	SA Fan operation time	Total operation time of the supply air fan presented in days (24h).	0..9999	9999	days		
120	EA Fan operation time	Total operation time of the extract air fan presented in days (24h).	0..9999	9999	days		
121							
122							
AHU heat exchange							
123	RHX operation time	Total operation time of the rotary heat exchanger presented in days (24h).	0	9999	Days		
124	PHX/CHX operation time	Total operation time of the coil heat exchanger presented in days (24h).	0	9999	Days		
AHU Coils							
125	Extra regulation sequence 1 coil type	0=None,1..8=Electric, 9..10=Water, 11..15=Electric	0	15			
126	Extra regulation sequence 1 heat operation time	Total operation time of extra regulation heat presented in days (24h).	0	9999	Days		
127	Extra regulation sequence 1 cool operation time	Total operation time of extra regulation cool presented in days (24h).	0	9999	Days		
128	Re-heat coil type	0=None,1..8=Electric, 9..10=Water, 11..15=Electric	0	15			
129	Re-heat operation time	Total operation time of re-heat presented in days (24h).	0	9999	Days		
130	Cool coil type	0=None,1..8=N/A, 9..10=Water, 11..15=N/A	0	15			
131	Cool operation time	Total operation time of cool presented in days (24h).	0	9999	Days		
Xzone coils							
132	Xzone heat, coil type	0=None,1..8=Electric, 9..10=Water, 11..15=Electric	0	15			
133	Xzone heat, operation time	Total operation time of Xzone heat presented in days (24h).	0	9999			
134	Xzone cool, coil type	9..10=Water	0	15			
135	Xzone cool, operation time	Total operation time of Xzone cool presented in days (24h).	0	9999			
Pre-heat							
136	Pre-heat coil type	0=None,1..8=Electric, 9..10=Water, 11..15=Electric	0	15			
137	Pre-heat operation time	Total operation time of pre-heat presented in days (24h).	0	9999	Days		

Internal Integer (ADI).Signed 16bit(RW 1-116, RO 117-163)

N2 Idx	Name	Description	Min	Max	Unit	Default	Misc
COOL DX							
138	COOL DX, unit power size		0	15			
AYC							
139	AYC Heat, operation time	Total operation time of AYC heat presented in days (24h).	0	9999			
140	AYC Cool, operation time	Total operation time of AYC cool presented in days (24h).	0	9999			
Operation level							
141	Operation level	0=Fan not available 1=Alarm stop 2=Manual total stop (on hand terminal) 3=External total stop (digital input) 4=Communication total stop 5=Communication normal stop 6=Communication extended normal stop 7=Time channel total stop 8=Time channel normal stop 9=Time channel extended normal stop 10=Low speed=normal stop 11=SA Fan starting up 12=Fan regulation blocked 13=ReCO ₂ 100% recirculation(1.11) 14=Morning boost stop(1.11) 15=Intermittent night heat stop(1.11) 16=After cooling electric heater 17=COOL DX switch off delay 18=Damper switch off delay 19=Manual low speed (on hand terminal) 20=External low speed (digital input) 21=Extended external low speed 22=Communication low speed 23=Time channel low speed 24=Morning boost low speed 25=Intermittent night heat low speed 26=Manual high speed (on hand terminal) 27=External high speed (digital input) 28=Extended external high speed 29=Communication high speed 30=Time channel high speed 31=Summer night cooling high speed 32=Filter calibration 33=RH _X Defrost calibration 34=ReCO ₂ calibration 35=AHU start up 36=Re-heat ramp down 37=HX ramp down 38=Air adjustment 39=Fans in operation with active fire alarm 40=PX bypass damper adjustment(1.12)	0	100			1.12
Time schedule							
142	Weekday	The internal clock present weekday	1	7			
143	Current action	1=Total stop, 2=Low speed, 3=High speed, 4=Normal stop, 5=Extended normal stop	1	5			

Internal Integer (ADI).Signed 16bit(RW 1-116, RO 117-163)

N2 Idx	Name	Description	Min	Max	Unit	Default	Misc
Alarms							
144	Triggered alarm #1	((Alarm group - 1) x 15) + alarm number in group=Triggered alarm number. Zero if no triggered alarm.	0	1500			
145	Triggered alarm #2		0	1500			
146	Triggered alarm #3		0	1500			
147	Triggered alarm #4		0	1500			
148	Triggered alarm #5		0	1500			
149	Triggered alarm #6		0	1500			
150	Triggered alarm #7		0	1500			
151	Triggered alarm #8		0	1500			
152	Triggered alarm #9		0	1500			
153	Triggered alarm #10		0	1500			
154	Triggered alarm group #1	Zero if no triggered alarm group.	0	100			
155	Triggered alarm group #2		0	100			
156	Triggered alarm group #3		0	100			
157	Triggered alarm group #4		0	100			
158	Triggered alarm group #5		0	100			
159	Triggered alarm group #6		0	100			
160	Triggered alarm group #7		0	100			
161	Triggered alarm group #8		0	100			
162	Triggered alarm group #9		0	100			
163	Triggered alarm group #10		0	100			
AHU Heat exchange							
164	Cool exchange temperature regulation I-time		1	1800	s	50	1.11
MISC							
165	Dehumidifying function	0=Inactive, 1=SA, 2=EA	0	2		0	1.12
166	VOC sensor function	0=Inactive, 1=Monitoring only, 2=Monitoring and regulation	0	2		0	1.23