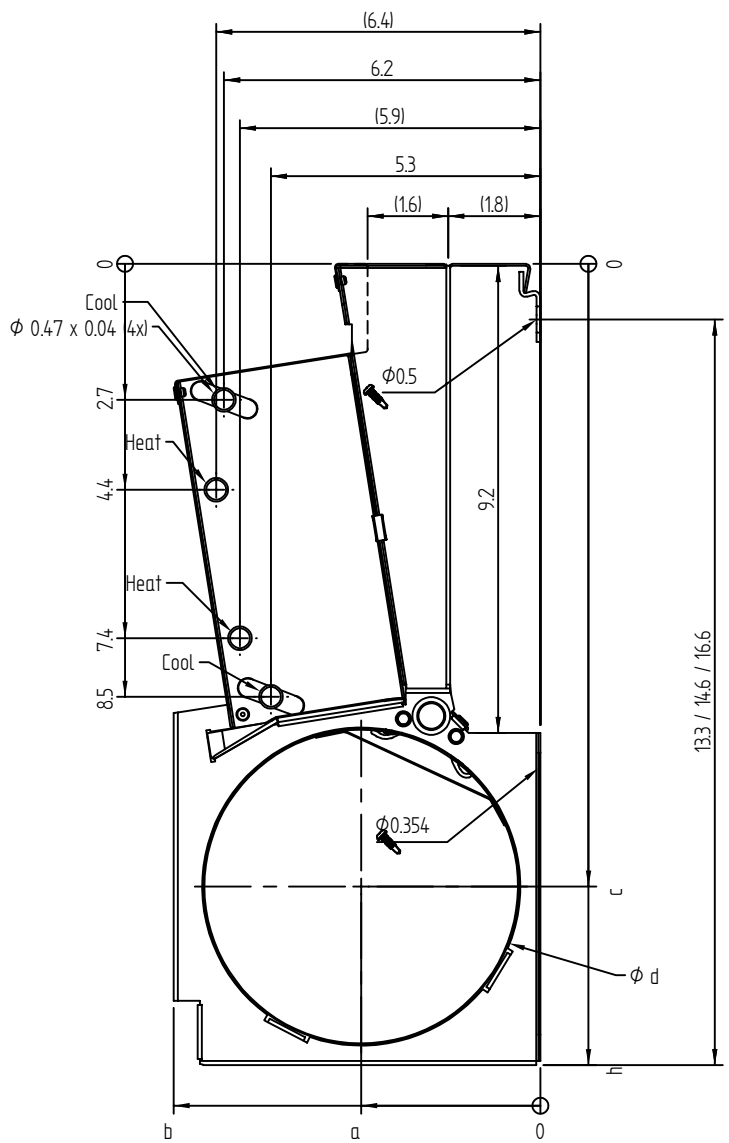


Dim. 1000 - 1600



Air connection	Dim (in)	a (in)	b (in)	c (in)	ϕd (in)	h (in)
1	4.9	3.2	7.2	11.6	4.8	14.4
2	6.3	3.5	7.2	12.2	6.2	15.8
3	7.9	4.3	8.7	13.4	7.8	17.7

