

# Instructions for the Installation of the TBLZ-1-30 Temperature Sensor GOLD

## 1. General

The sensor set consists of a sensor and a junction box for adaptation from modular connector to screw terminal connection.

## 2. Field of application

The temperature sensor is intended to be used for the functions Xzone and Preheating.

## 3. Installation

Install the sensor in the duct and connect it using the modular connector for the junction box supplied with the sensor.

Then lay a cable from the junction box to the terminal connections of the air handling unit.

## 4. Technical details

Enclosure class: IP 34

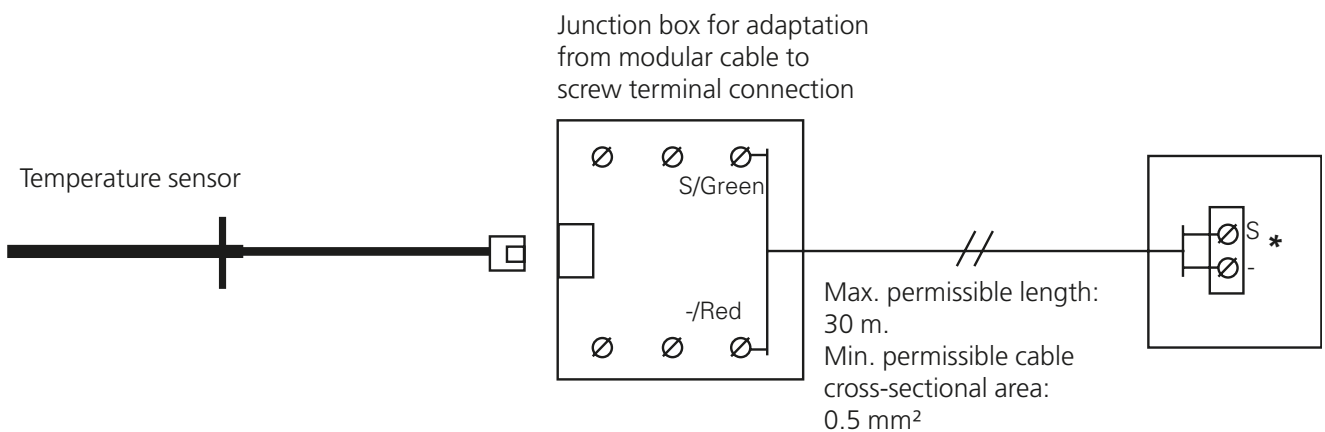
Effective measuring range: -55 °C – +125 °C



## 5. Electrical connections

The electrical connections shall be carried out by a qualified electrician in accordance with local electrical safety regulations.

The temperature sensor is a digital instrument and may be sensitive to external interference depending on the type of installation. The cable to the sensor must not be arranged parallel to and near a high-voltage current cable. If the sensor cable crosses the high-voltage current cable, this intersection must be at 90° angles.



*Digital temperature sensors require correct polarity. Be careful when you wire the conductors.*

### Version E/F

\* Connection for various applications

1. Temperature sensor, Xzone:

See the individual instructions for the TBLZ-2-50.

2. Temperature sensor, preheating coil:

See the individual instructions for the TBIQ or the Preheat function guide.