

CCO valve

Commissioning

20160928

To adjust the K_v value:

K_v values can be set for cooling and heating using separate adjustment screws.

Turn the screw clockwise to its stop position, then open it a number of turns in order to achieve a specific k_v value

K_v value:

Number of turns that the adjustment screw is open								
	A	B	C	D	E	F	G	H
Turns	0.5	0.75	1	1.25	1.5	2	3	4
K_v m^3/h	0.042	0.072	0.116	0.171	0.24	0.327	0.6	0.9

Example:

In a typical case, a flow of 144 l/h is required to obtain correct capacity in the cooling case, and a pressure drop of 10 kPa across the valve is desirable to obtain good regulation.

In the diagram (see red marking) you can see that this is achieved at the preset k_v value between F and G, i.e. the screw should be opened approx. 2.5 turns, see Table above.

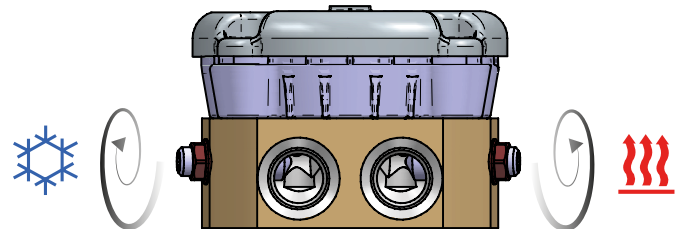
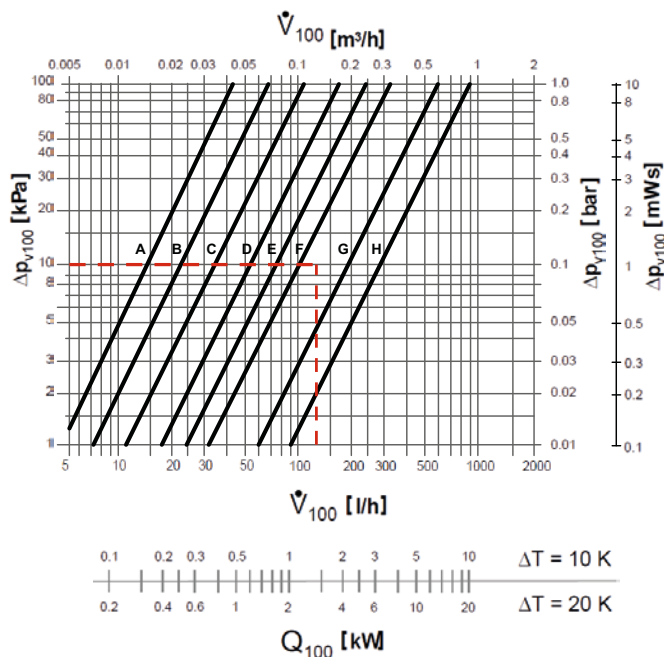


Figure 1. Adjustment screws

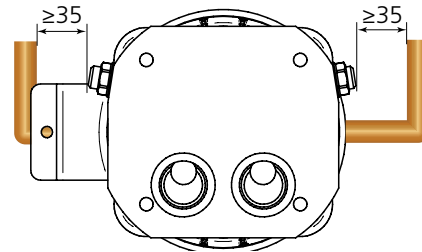


Figure 2. Install the pipe at least 35 mm from the adjustment screw.

Bleeding

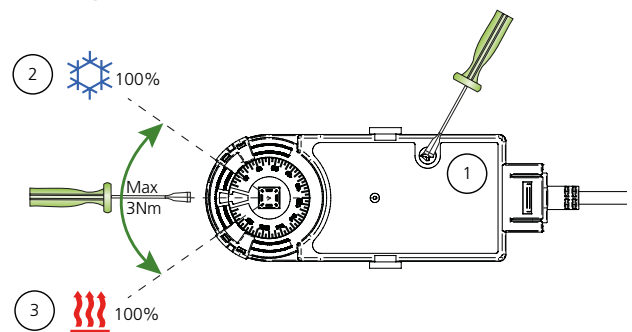


Figure 3. Bleeding the system

1. Bleeder is not built-in in the product, an external bleeder should be mounted to the pipe-system
2. Release the motor-gear (1)
3. Turn valve shaft to end position (2) full cooling and bleed the system.
4. Turn valve shaft to end position (3) full heating and bleed the system.
5. Startup is done with motor anywhere between end positions