

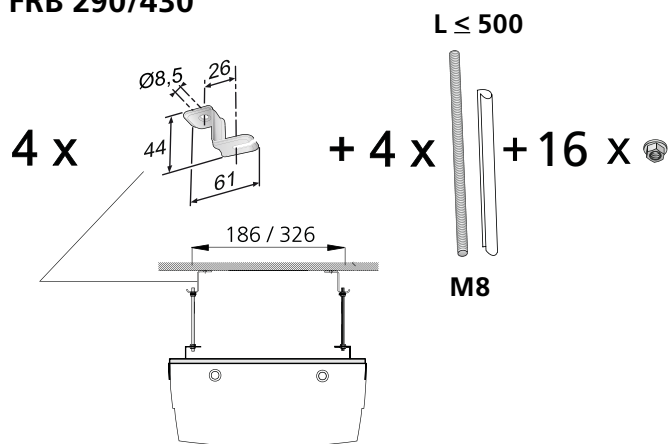
# FRB<sub>C</sub>

Installation – Maintenance

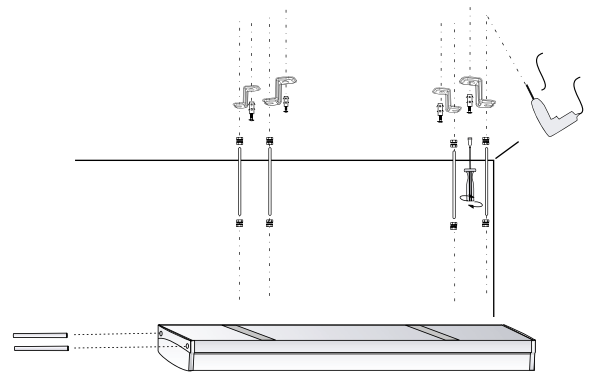
20190920  
Art. 942428006

## Installation / Montering

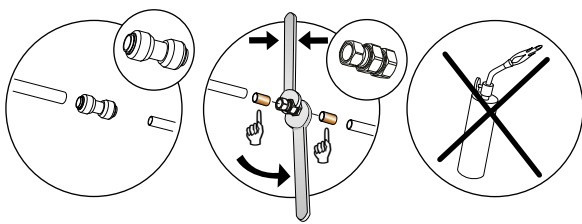
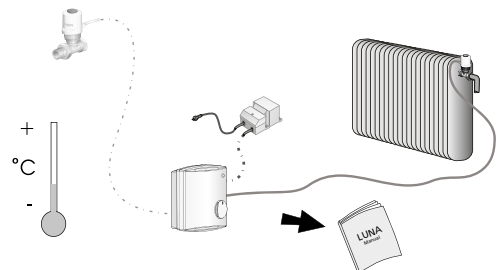
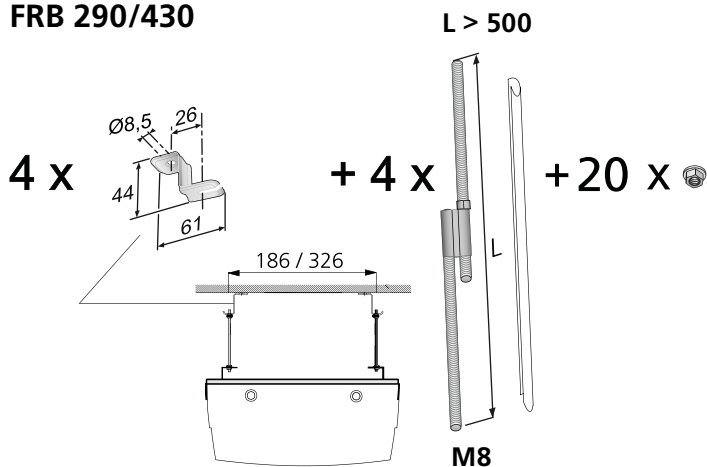
### A FRB 290/430



### A/B



### B FRB 290/430

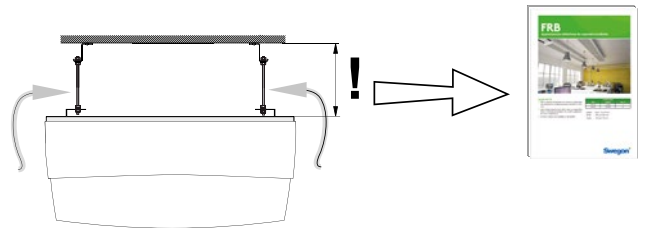
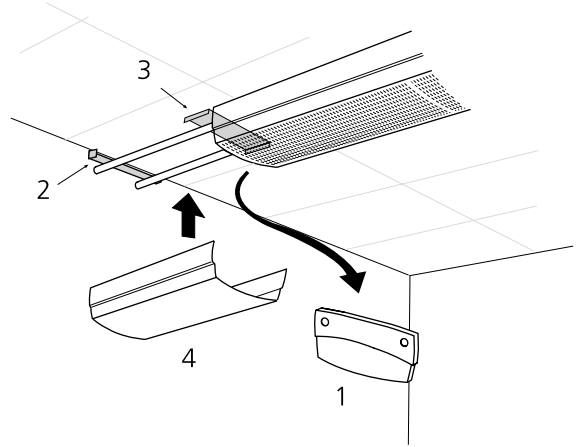
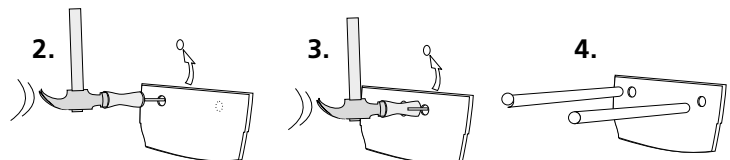
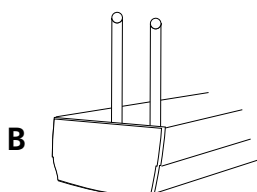
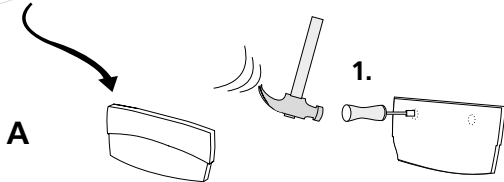
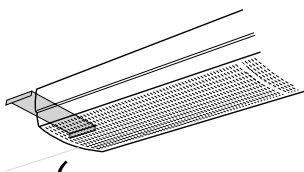
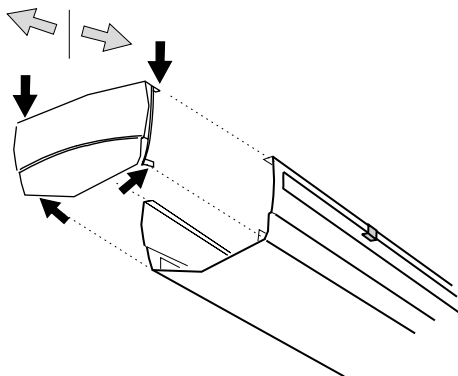
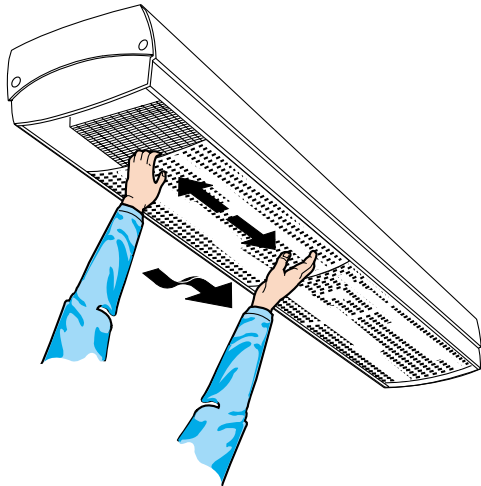
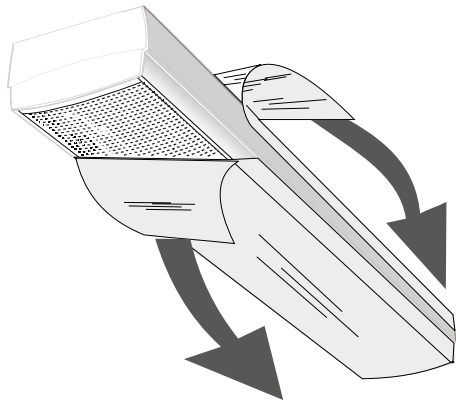


20-35 Nm



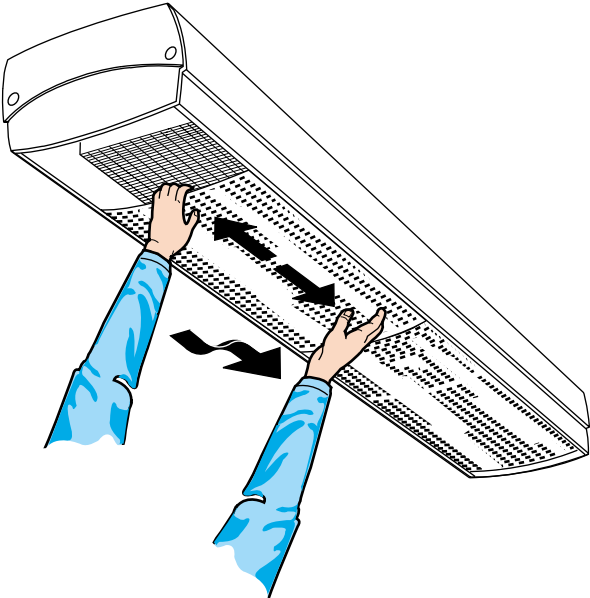
Cu Ø12 x 1 mm

Max. recommended operating pressure: 1600kPa

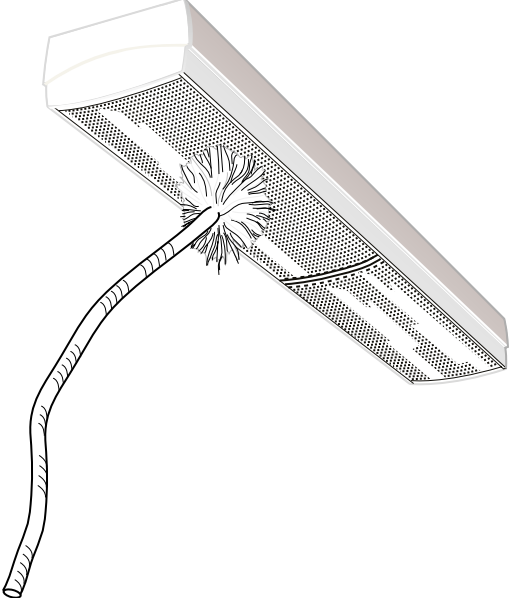


# Maintenance / Skötsel

1



3



2

