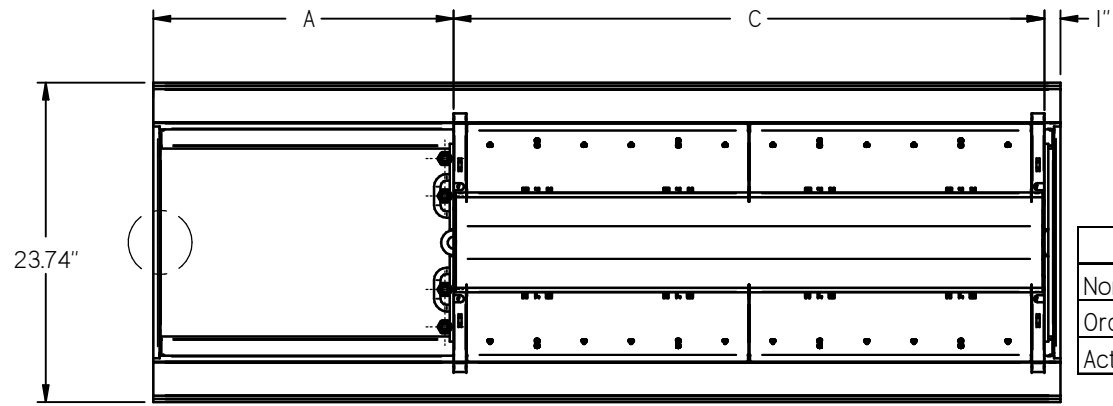
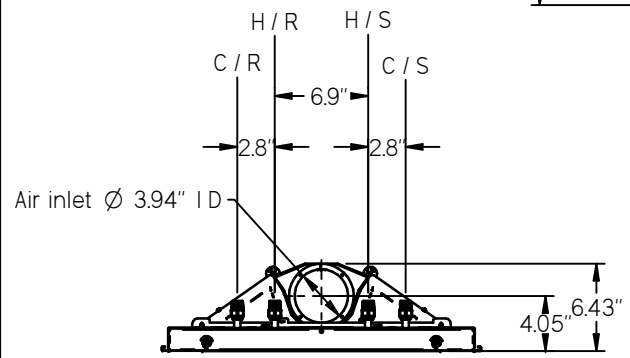


| | |
|----|--------|
| KM | Nummer |
| | |
| | |
| | |

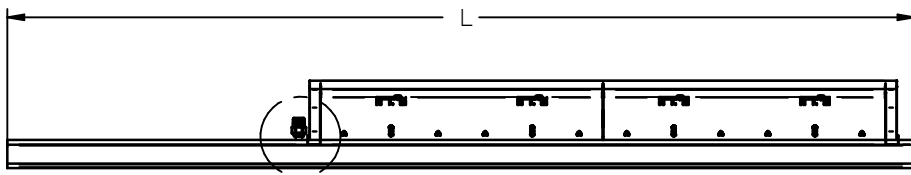
Pacific 4"



| | L - Unit Length | | | |
|-----------------------|-----------------|------|------|-------|
| Nominal Length, FT | 4' | 6' | 8' | 10' |
| Order Code | 1213 | 1823 | 2433 | 3043 |
| Actual Length, IN (") | 47.8 | 71.8 | 95.8 | 119.8 |



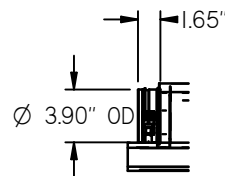
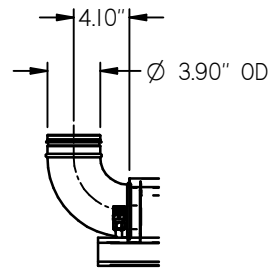
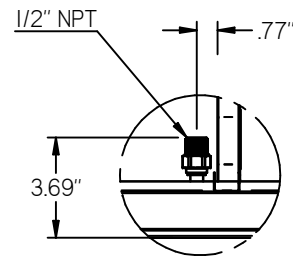
| | C - Coil Length | | | |
|----------------------|-----------------|------|------|-------|
| Nominal Length, FT | 4' | 6' | 8' | 10' |
| Order Code | 1100 | 1600 | 2200 | 2700 |
| Actual Length IN (") | 43,5 | 64,4 | 87,1 | 107,9 |
| a - access | 3,2 | 6,4 | 7,7 | 10,9 |



| AVAILABILITY | | | | |
|--------------------|-------------------------------------|-------------------------------------|-------------------------------------|-------------------------------------|
| | L - Unit Length | | | |
| Nominal Length, FT | 4' | 6' | 8' | 10' |
| 4' | <input checked="" type="checkbox"/> | <input checked="" type="checkbox"/> | | |
| 6' | | <input checked="" type="checkbox"/> | <input checked="" type="checkbox"/> | |
| 8' | | | <input checked="" type="checkbox"/> | <input checked="" type="checkbox"/> |
| 10' | | | | <input checked="" type="checkbox"/> |

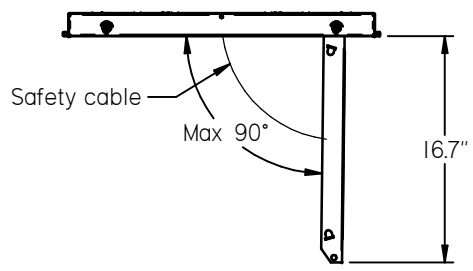
Water connections

- C / S = Supply cooling, 1/2" NPT
- C / R = Return cooling, 1/2" NPT
- H / S = Supply heating, 1/2" NPT
- H / R = Return heating, 1/2" NPT

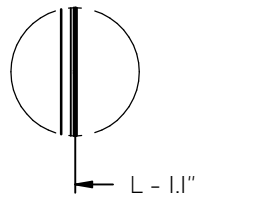


Optional inlet elbow / adapter

Notice! This sketch is not valid for production."



Hinged face plate

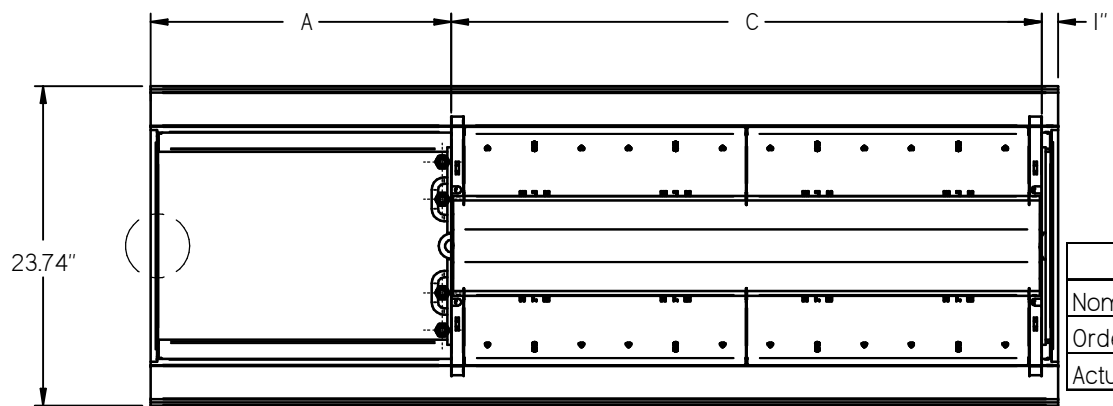


Face plate length

| | | | | | | | |
|---------------|------|---------------|------|--|------------------|------------------------|------------|
| Delbeteckning | Ant. | Delbeteckning | Ant. | Benämning | Pos. nr | Material/Artikelnummer | Anm. |
| Variant | | Variant | | Tolerans för icke direkt toleranssatta mått enligt SS-ISO 2768-1 medel | | Ersätter | Datum |
| | | | | | Dimension Sketch | | 2011-01-11 |
| | | | | | Pacific | | |
| | | | | | Filnamn | | |
| | | | | S-2128-G | | Godkänd | |
| | | | | Ritad | | Skala | Blad |
| | | | | AnF | | | 1/3 |
| | | | | Ritningsnummer/ Drawingnumber | | Andring | |
| | | | | S-2128 | | G | |

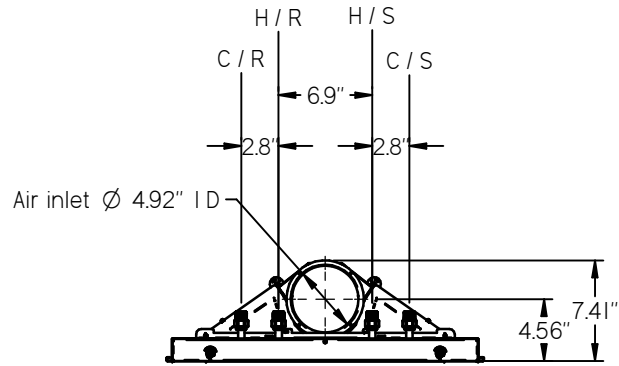
| | |
|----|--------|
| KM | Nummer |
| | |
| | |
| | |

Pacific 5"



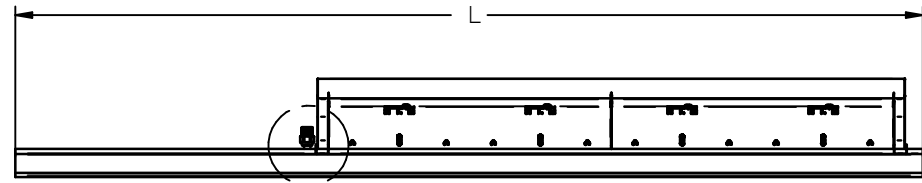
| | L - Unit Length | | | |
|-----------------------|-----------------|------|------|-------|
| Nominal Length, FT | 4' | 6' | 8' | 10' |
| Order Code | 1213 | 1823 | 2433 | 3043 |
| Actual Length, IN (") | 47.8 | 71.8 | 95.8 | 119.8 |

| | C - Coil Length | | | |
|----------------------|-----------------|------|------|-------|
| Nominal Length, FT | 4' | 6' | 8' | 10' |
| Order Code | 1100 | 1600 | 2200 | 2700 |
| Actual Length IN (") | 43,5 | 64,4 | 87,1 | 107,9 |
| a - access | 3,2 | 6,4 | 7,7 | 10,9 |

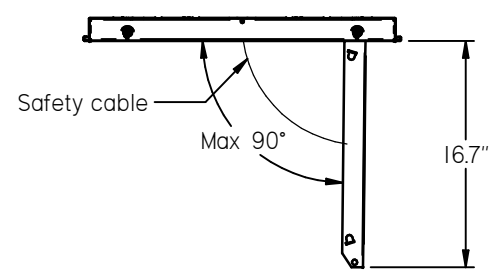


Water connections

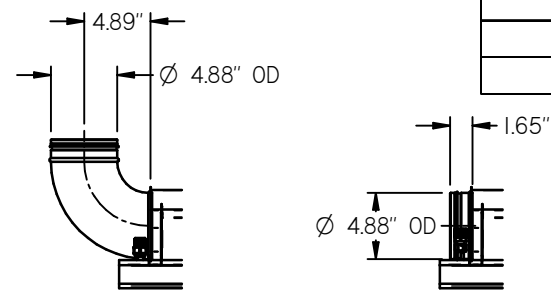
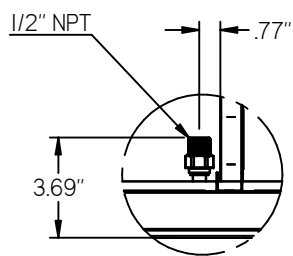
- C / S = Supply cooling, 1/2" NPT
- C / R = Return cooling, 1/2" NPT
- H / S = Supply heating, 1/2" NPT
- H / R = Return heating, 1/2" NPT



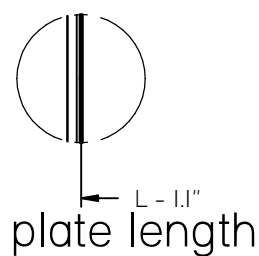
| AVAILABILITY | | | | |
|--------------------|-------------------------------------|-------------------------------------|-------------------------------------|-------------------------------------|
| | L - Unit Length | | | |
| Nominal Length, FT | 4' | 6' | 8' | 10' |
| 4' | <input checked="" type="checkbox"/> | <input checked="" type="checkbox"/> | | |
| 6' | | <input checked="" type="checkbox"/> | <input checked="" type="checkbox"/> | |
| 8' | | | <input checked="" type="checkbox"/> | <input checked="" type="checkbox"/> |
| 10' | | | | <input checked="" type="checkbox"/> |



Hinged face plate



Optional inlet elbow / adapter



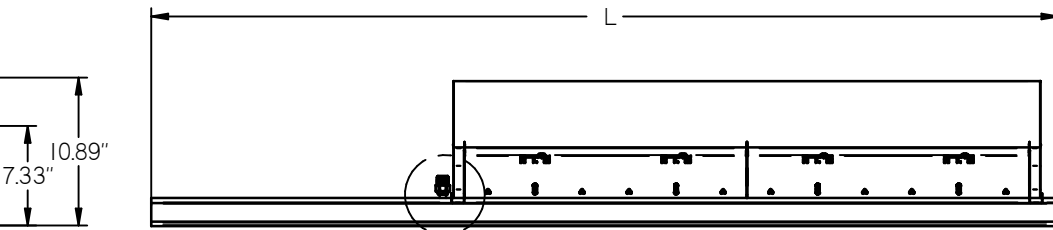
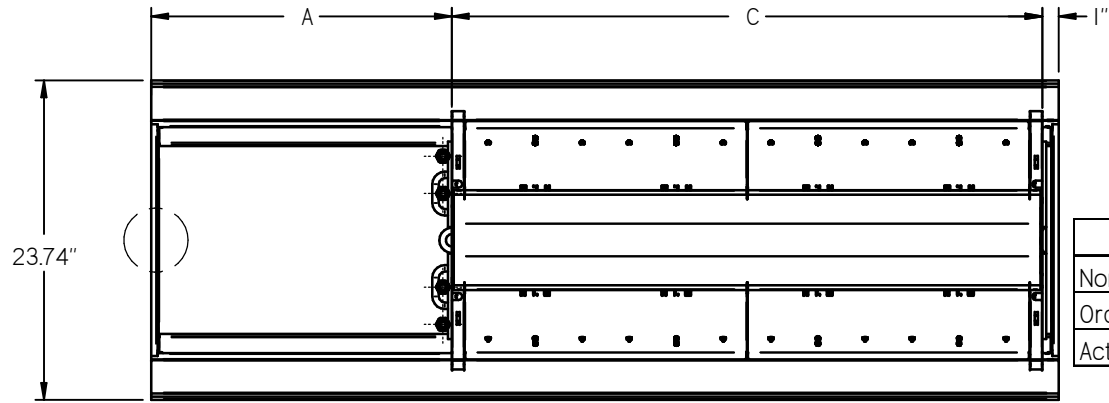
Face plate length

Notice! This sketch is not valid for production."

| Delbeteckning | Ant. | Delbeteckning | Ant. | Benämning | Pos. nr | Material/Artikelnummer | Anm. | |
|------------------|------|---------------|------|--|---------|-------------------------------|------------|------|
| Variant | | Variant | | Tolerans för icke direkt toleranssatta mått enligt SS-ISO 2768-1 medel | | Ersätter | Datum | |
| | | | | | | Filnamn | 2011-01-11 | |
| | | | | | | Ritad | Godkänd | |
| | | | | | | AnF | Skala | Blad |
| | | | | | | Ritningsnummer/ Drawingnummer | Andring | |
| Dimension Sketch | | | | | | S-2128-G | 2/3 | |
| Pacific | | | | | | S-2128 | G | |

| | |
|----|--------|
| KM | Nummer |
| | |
| | |
| | |

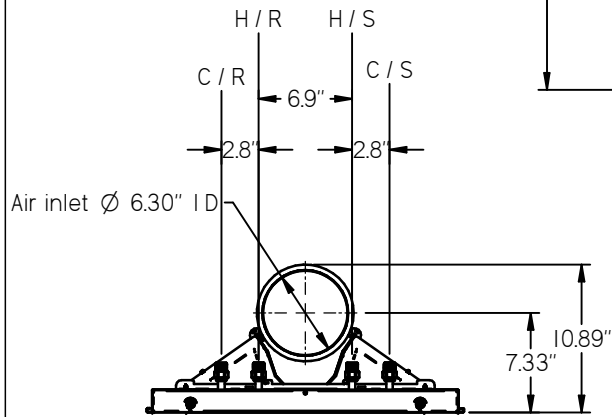
Pacific 6"



| | L - Unit Length | | | |
|-----------------------|-----------------|------|------|-------|
| Nominal Length, FT | 4' | 6' | 8' | 10' |
| Order Code | 1213 | 1823 | 2433 | 3043 |
| Actual Length, IN (") | 47.8 | 71.8 | 95.8 | 119.8 |

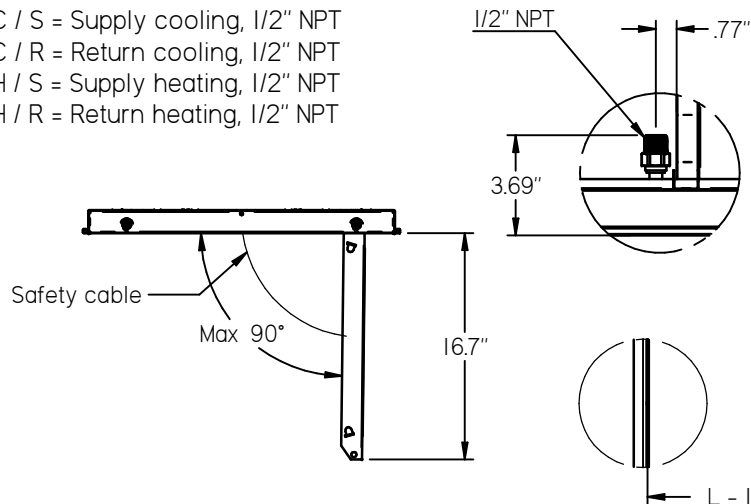
| | C - Coil Length | | | |
|----------------------|-----------------|------|------|-------|
| Nominal Length, FT | 4' | 6' | 8' | 10' |
| Order Code | 1100 | 1600 | 2200 | 2700 |
| Actual Length IN (") | 43,5 | 64,4 | 87,1 | 107,9 |
| a - access | 3,2 | 6,4 | 7,7 | 10,9 |

| AVAILABILITY | | | | |
|--------------------|-------------------------------------|-------------------------------------|-------------------------------------|-------------------------------------|
| | L - Unit Length | | | |
| Nominal Length, FT | 4' | 6' | 8' | 10' |
| 4' | <input checked="" type="checkbox"/> | <input checked="" type="checkbox"/> | | |
| 6' | | <input checked="" type="checkbox"/> | <input checked="" type="checkbox"/> | |
| 8' | | | <input checked="" type="checkbox"/> | <input checked="" type="checkbox"/> |
| 10' | | | | <input checked="" type="checkbox"/> |

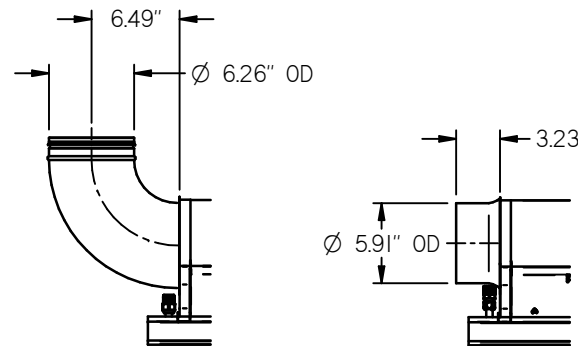


Water connections

- C / S = Supply cooling, 1/2" NPT
- C / R = Return cooling, 1/2" NPT
- H / S = Supply heating, 1/2" NPT
- H / R = Return heating, 1/2" NPT



Hinged face plate Face plate length



Optional inlet elbow / adapter

Notice! This sketch is not valid for production."

| Delbeteckning | Ant. | Delbeteckning | Ant. | Benämning | Pos. nr | Material/Artikelnummer | Anm. | |
|---------------|------|---------------|------|--|---------|-------------------------------|----------|---------|
| Variant | | Variant | | Tolerans för icke direkt toleranssatta mått enligt SS-ISO 2768-1 medel | A3 | Ersätter | Datum | |
| | | | | | | 2011-01-11 | | |
| | | | | | | Dimension Sketch | Filnamn | Godkänd |
| | | | | | | Pacific | S-2128-G | |
| | | | | | | Ritad | Skala | Blad |
| | | | | | | AnF | | 3/3 |
| | | | | | | Ritningsnummer/ Drawingnumber | Ändring | |
| | | | | | | S-2128 | G | |