

# TBLZ-1-64 connection kit installation, GOLD

## 1. General

The TBLZ-1-64 connection kit is used to connect up to 3 MIRUVENT power roof ventilators or 1 chiller/heat pump to one GOLD air handling unit.

It's also used to connect the pulse counter TBLZ-1-91, see the separate installation instructions.

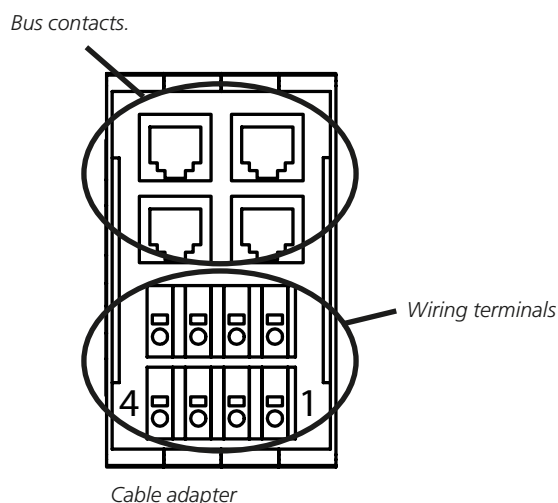
It can also be used as a cable junction when the application requires more inputs than those available on the GOLD unit's control circuit card for COM1-3 and COM6-11 respectively.

The connection kit consists of one cable adapter and one bus cable (0.25 metres).

## 2. Installation

Mount the cable adapter on the DIN rail inside the electric equipment cubicle of the GOLD air handling unit.

Enclosure TBLZ-1-73-1 (accessory) can be used to install the cable adapter outside of the GOLD air handling unit's electrical cabinet.

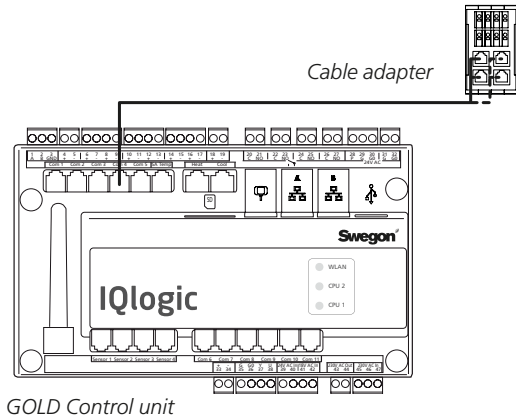


### 3. Electrical connections

#### 3.1 Power roof ventilator MIRUVENT and chiller/heat pump

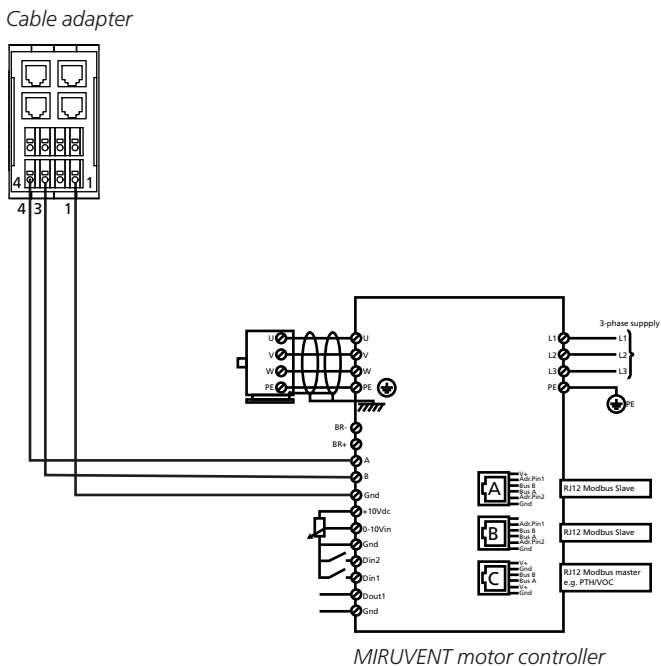
##### GOLD, version E/F

Connect the bus cable (supplied) between the bus contact, marked COM4, on the control unit of the GOLD unit and an optional bus contact on the cable adapter.



##### MIRUVENT

Connect the cable between the MIRUVENT motor controller and the cable adapter as shown in the illustration. The cables are not included in the supply. Twisted pair, shielded cables are recommended.



##### BlueBox chiller/heat pump

See the Function Guide for the BlueBox.

#### 3.2 Cable junction, GOLD air handling unit's control circuit card

##### GOLD, version E/F

If the application requires more inputs than those available on the COM1-3 and COM6-11 respectively on the GOLD air handling unit's control circuit card, the cable adapter can be used as a cable junction.

Connect the bus cable (supplied) between the bus contact, marked COM1-3 and COM6-11 respectively (see the pertinent installation instructions for the relevant accessory), and an optional bus contact on the cable adapter.

